



grouphomesafe▲

Foam Seals

[COMPOSITE DOORS]



Qlon the Ultimate Weatherseal

With over 50 years of global experience in the design and manufacture of outstanding window and door products, it is little wonder that Schlegel has become the industry's first choice for not only weatherseal products, but locking and security systems, handles and hardware.

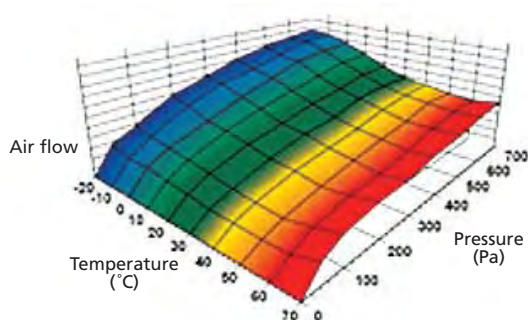
The Unique QLON weatherseal has been developed in consultation with our customers to offer the widest range of seals possible for aluminium windows and doors. The unique design has made QLON impervious to paint and stain, while still providing some of the best energy saving performance characteristics currently available.

Backed by our lifetime guarantee, QLON will never let you or your customer down, making it highly cost effective way of offering continuous high standards of weathersealing, year after year.

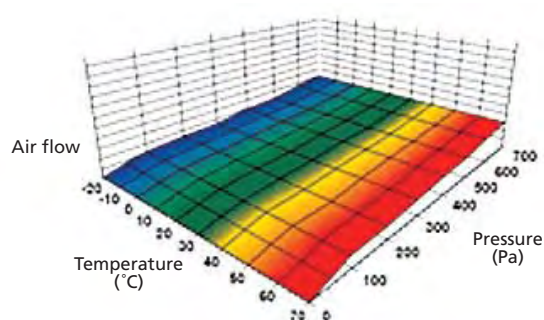
OUTSTANDING ENERGY EFFICIENCY

Specifically designed to meet the different demands of aluminium windows and doors, QLON maintains consistently high standards of energy efficiency, often exceeding any long-term window performance guarantees.

- Exceptional performance maintained over a wide temperature range. Doesn't shrink or stretch, even in extreme climatic conditions.
- Excellent memory - retains its original shape year after year to maintain a consistently high standard of weatherseal.
- Kerf tolerances have been increased and are more forgiving of your manufacturing process $-2.7\text{mm} \pm 0.3\text{mm}$.
- Compensates for window movement.
- Lower insertion forces speed up fitting by 15%



Window performance using EPDM flipper seal

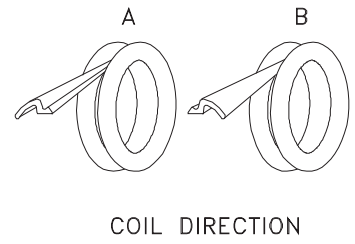
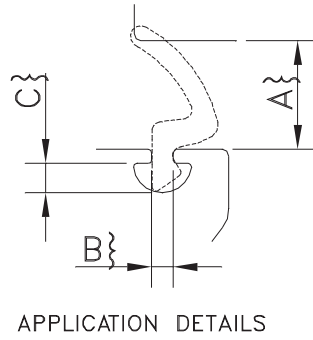
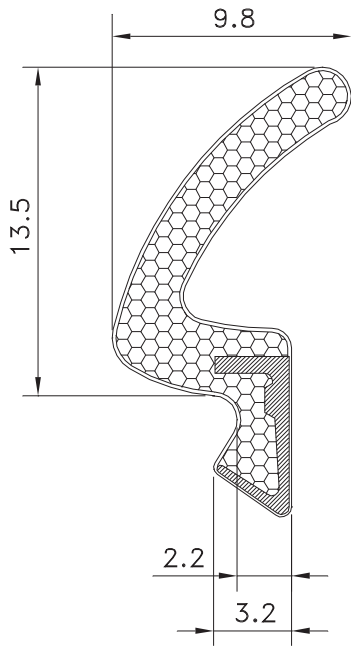


Window performance using Schlegel QLON™

The graph shows the weather performance against competitor gaskets and demonstrates that Qlon provides less air leakage over a wide temperature range when compared to our competitors.

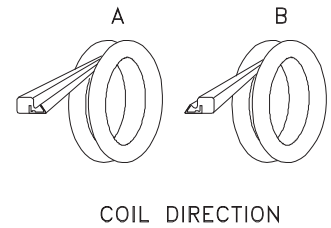
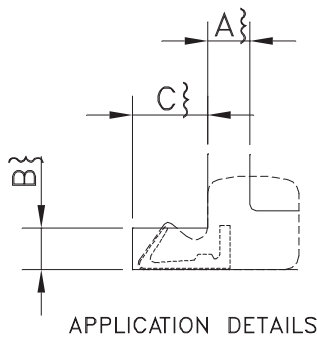
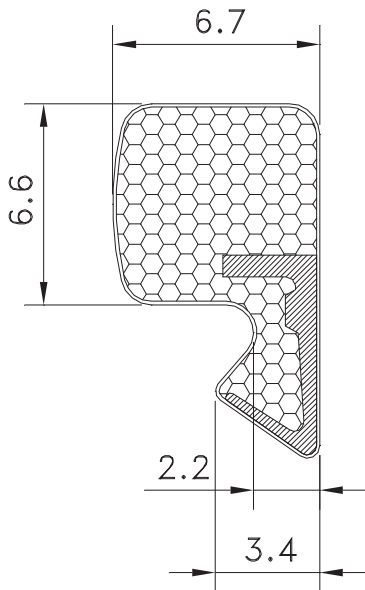
Schlegel®

QLON* 7000

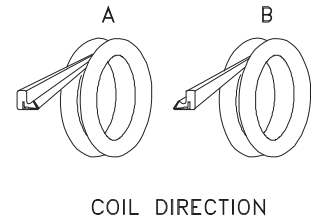
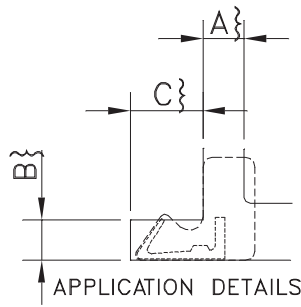
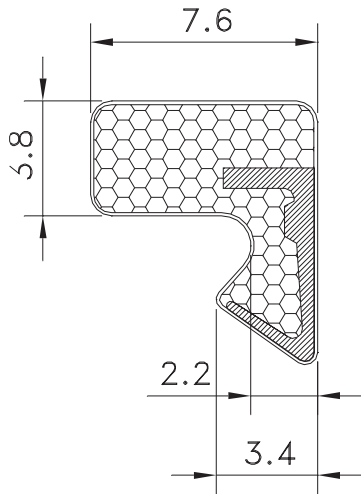


TECHNICAL SPECIFICATION: A, SEAL GAP 4.0mm MIN to 10.8mm MAX
 B, RETENTION SLOT THROAT. 2.4mm NOMINAL
 C, MINIMUM POCKET DEPTH 4.5mm

AQUAMAC* 63

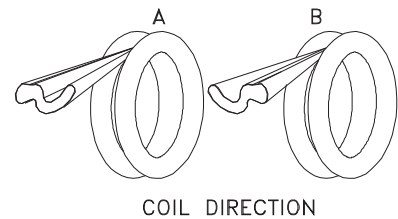
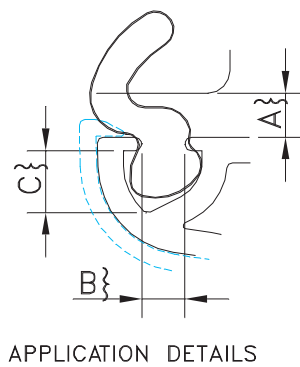
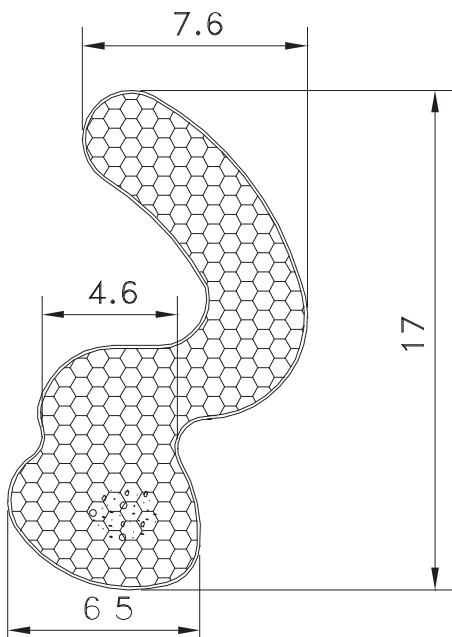


AQUAMAC* 48



TECHNICAL SPECIFICATION: A, SEAL GAP 2.0mm MIN to 3.0mm MAX
 B, KERF SLOT WIDTH. 2.7mm NOMINAL
 C, MINIMUM KERF SLOT DEPTH 5.5mm

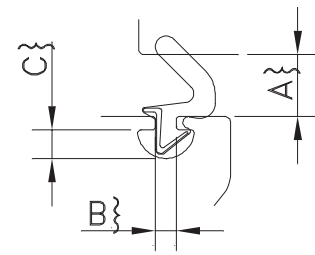
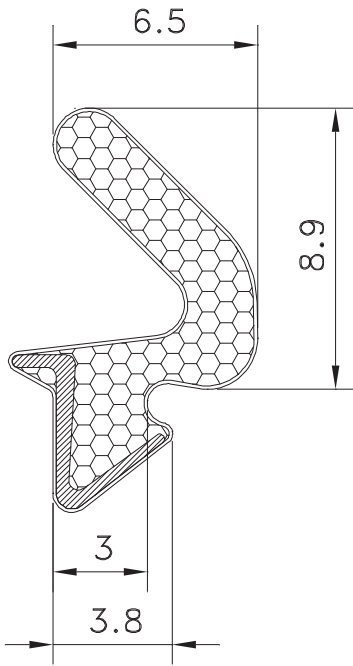
QLON* 9536



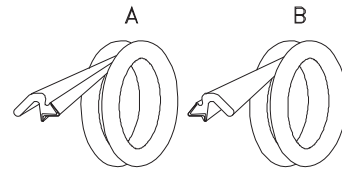
TECHNICAL SPECIFICATION: A, SEAL GAP 2.5mm MIN to 4.0mm MAX
 B, RETENTION SLOT THROAT. 3.9mm NOMINAL
 C, MINIMUM POCKET DEPTH 5.6mm



QLON* 9257



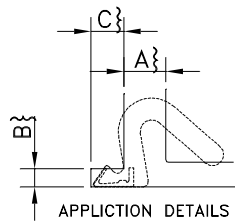
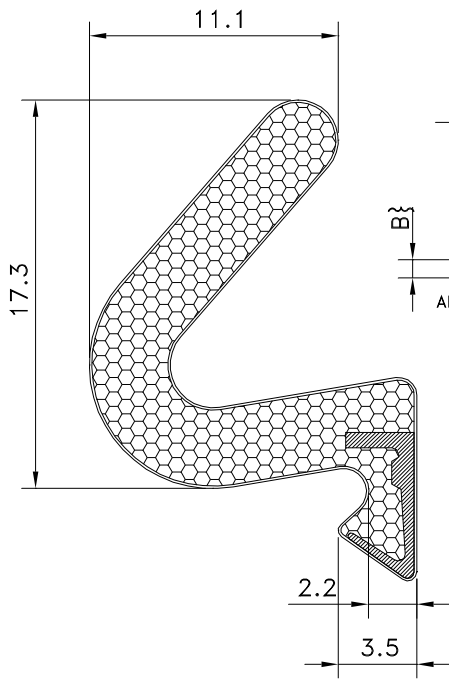
APPLICATION DETAILS



COIL DIRECTION

TECHNICAL SPECIFICATION: A, SEAL GAP 4.5mm MIN to 7.1mm MAX
 B, RETENTION SLOT THROAT. 3.0mm NOMINAL
 C, MINIMUM POCKET DEPTH 3.0mm

AQUAMAC* 89

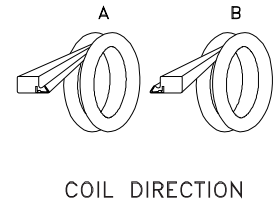
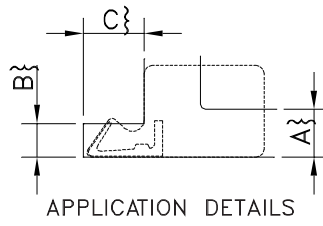
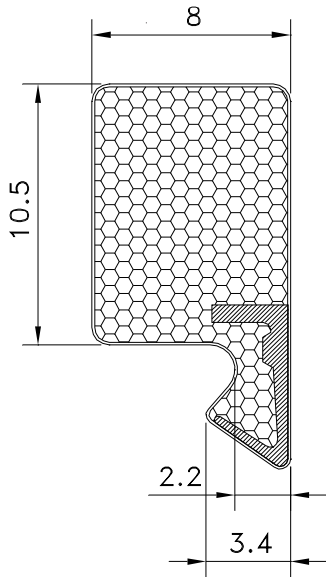


APPLICATION DETAILS

TECHNICAL SPECIFICATION: A, SEAL GAP 5.0mm MIN to 13.0mm MAX
 B, KERF SLOT WIDTH. 2.7mm NOMINAL
 C, MINIMUM KERF SLOT DEPTH 5.5mm

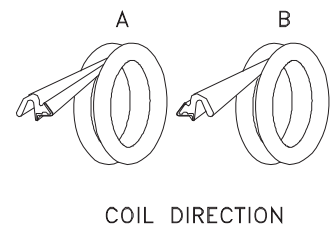
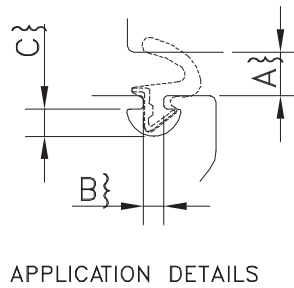
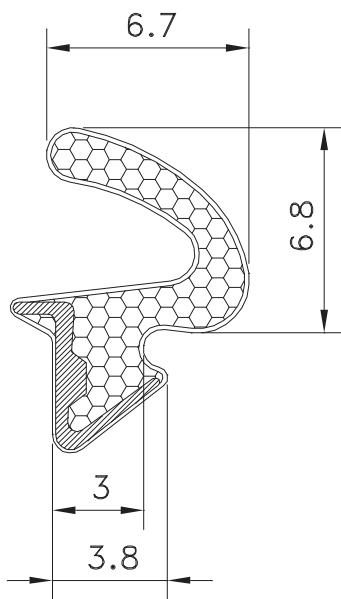


AQUAMAC* 33



TECHNICAL SPECIFICATION: A, SEAL GAP 4.0mm MIN to 6.4mm MAX
 B, KERF SLOT WIDTH. 2.7mm NOMINAL
 C, MINIMUM KERF SLOT DEPTH 5.5mm

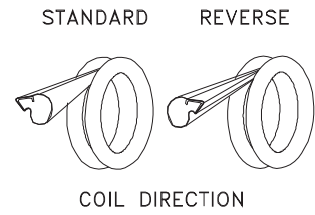
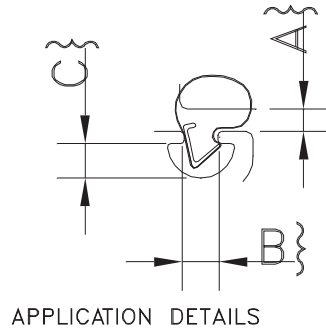
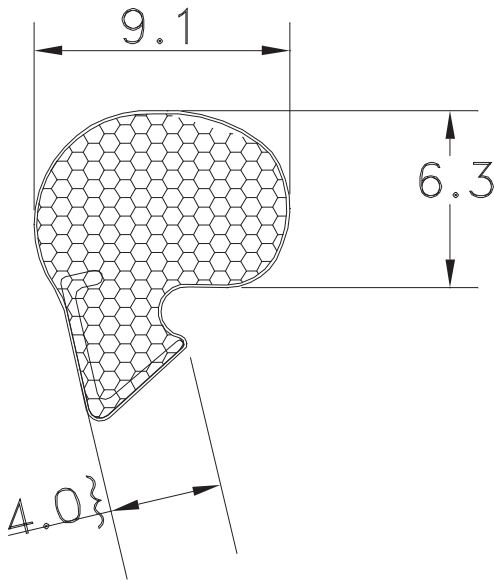
QLON* 9107



TECHNICAL SPECIFICATION: A, SEAL GAP 1.5mm MIN to 5.6mm MAX
 B, RETENTION SLOT THROAT. 3.0mm NOMINAL
 C, MINIMUM POCKET DEPTH 3.0mm

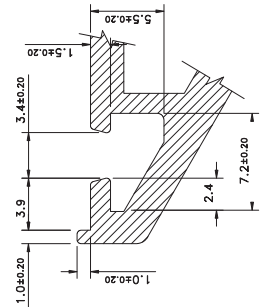
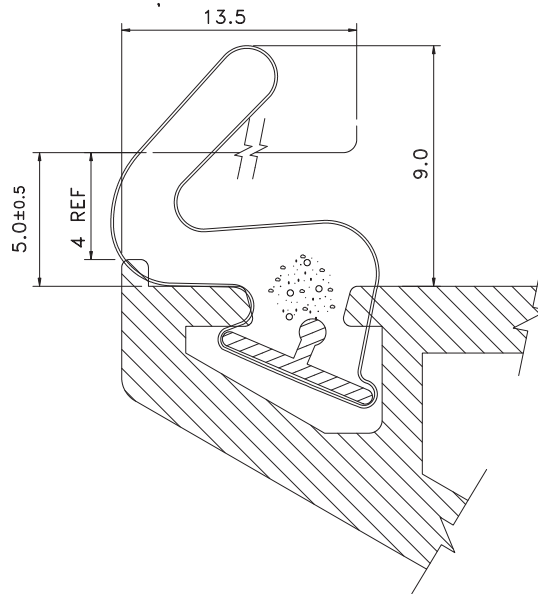
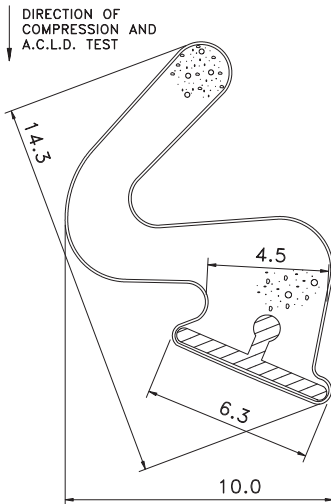


QLON* 9596



TECHNICAL SPECIFICATION: A, SEAL GAP 2.5mm MIN to 4.0mm MAX
B, RETENTION SLOT THROAT. 3.4mm NOMINAL
C, MINIMUM POCKET DEPTH 4.0mm

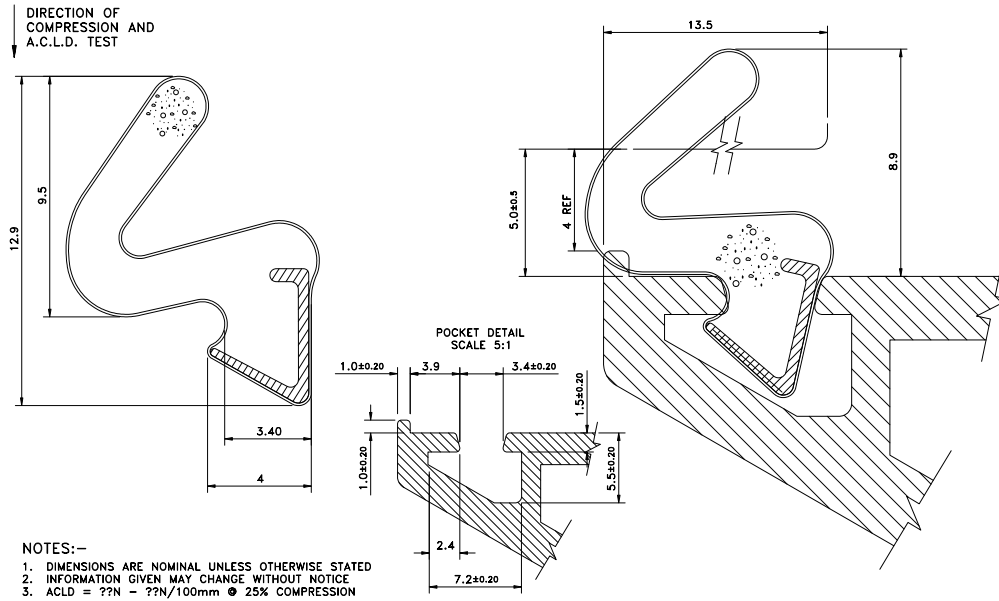
QLON* 9926



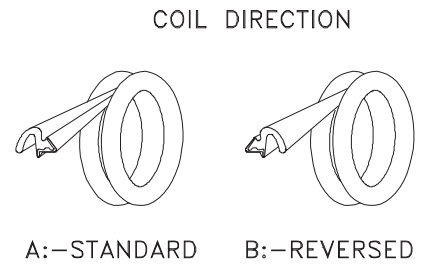
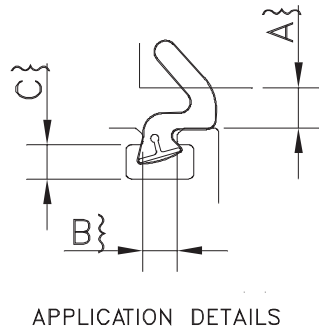
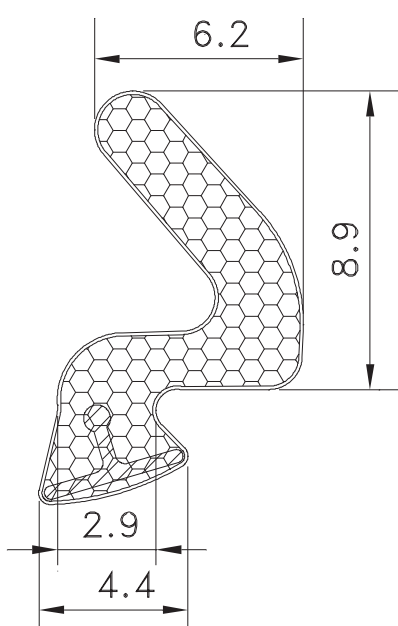
NOTES:-
1. DIMENSIONS ARE NOMINAL UNLESS OTHERWISE STATED
2. INFORMATION GIVEN MAY CHANGE WITHOUT NOTICE
3. ACLD = ??N - ??N/100mm @ 25% COMPRESSION



QLON* 9928



QLON* 9688



TECHNICAL SPECIFICATION: A, SEAL GAP 3.0mm MIN to 7.0mm MAX
 B, RETENTION SLOT THROAT. 2.5mm NOMINAL
 C, MINIMUM POCKET DEPTH 2.7mm



Qlon the Ultimate Weatherseal



This is just part of our extensive range of Q-LON products. For a bespoke profile speak to a Schlegel Engineer.



This is just part of our extensive range of Q-LON products. For a bespoke profile speak to a Schlegel Engineer.



This is just part of our extensive range of Q-LON products. For a bespoke profile speak to a Schlegel Engineer.



This is just part of our extensive range of Q-LON products. For a bespoke profile speak to a Schlegel Engineer.



This is just part of our extensive range of Q-LON products. For a bespoke profile speak to a Schlegel Engineer.



This is just part of our extensive range of Q-LON products. For a bespoke profile speak to a Schlegel Engineer.



WEATHER SEAL RANGE COLOUR CHART



BRONZE (RAL 8017)



WHITE (RAL 9003)



BLACK (RAL 9005)



DARK GREY
(M5 EMBOSS ONLY RAL 7002)



BEIGE (RAL 1001)



LIGHT OAK (RAL 8003)



LIGHT GREY (RAL 7035)



SILVER GREY (RAL 7001)



OCHRE BROWN (RAL 8001)



CHESTNUT BROWN (RAL 8015)



GRAPHITE GREY (RAL 7024)



FAWN BROWN (RAL 8007)



PURE WHITE (RAL 9010)

This chart is a 'rough' guide only not be used as an exact representation of the finished colour options available.

