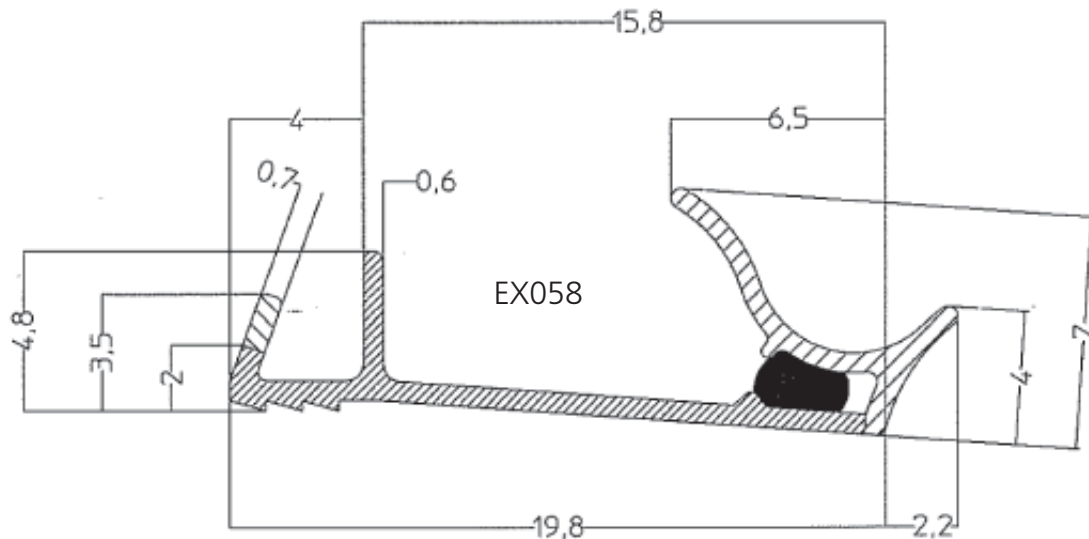




Extruded Seals

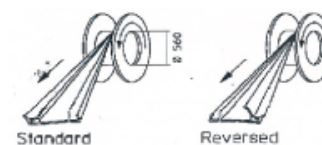
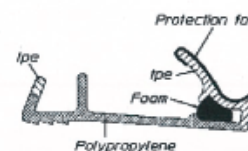
[SLIDING WINDOWS AND DOORS]

Novaseal, Lozaron

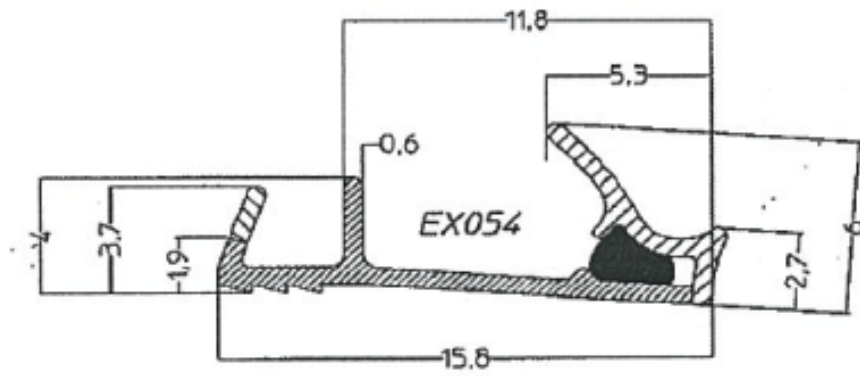


Extruded Door and Window Seal - Novaseal, Lozaron

Product name	Extruded, Rigid profile + NovaSeal foam
Shape Reference nr	See product range pages for readily available shapes and reference nrs other shapes and tailormade shapes, available on request.
Product Description	Rigid profile with barb for kerf slot combined with a soft type sealing part and a foamseal for added durable sealing.
Application	Compression weatherseal for internal and external wood doors and windows
Materials	Profile body: Rigid, extruded 100% polypropylene with soft type tip for easy insertion Active seal: Soft smooth shaped elastic type. Novaseal: Poly-urethane foam, acting as support for the type seal and acoustic sealing
Protection	Some shapes have easy removable foil applied for protection when treating window or door framework Protection foil: blue colour, co-extruded with profile
Colours	Light Oak/Beige, Ochre RAL8001, White, Black, Grey, Dark brown Other colours available on request NovaSeal foam: Grey only
Packaging	Coiled and boxed. Ex: 250ml/coil, 2*250m/box. Depending on the profile dimensions. Option: Coiling can be standard or reversed Option: Coils stacked unboxed on pallets Option: Large volume coils Ex: 900m/coil Option Reel centre hole diameter 28mm
Ordering	Profile shape: Ex-ref. nr and colour + packaging Example: "EX061 Light Oak, standard coiling, unboxed on pallet"

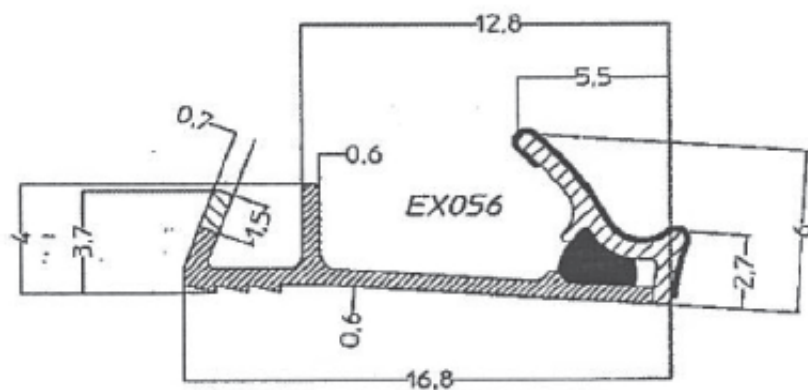


EX054

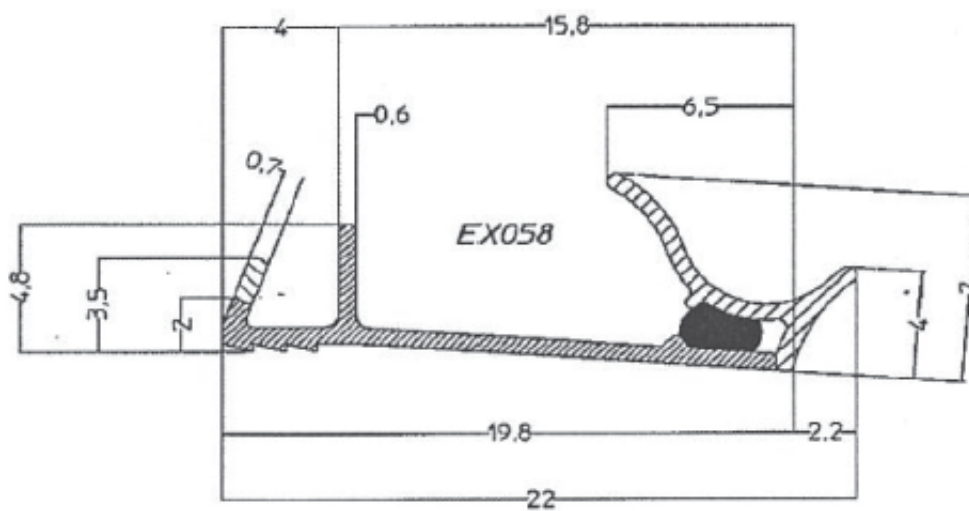


EX056

with protection foil

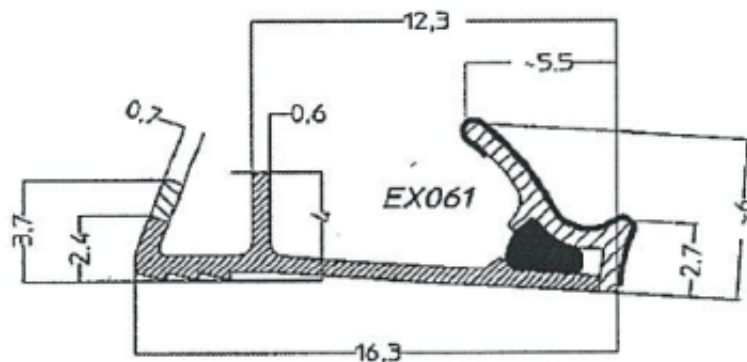


EX058



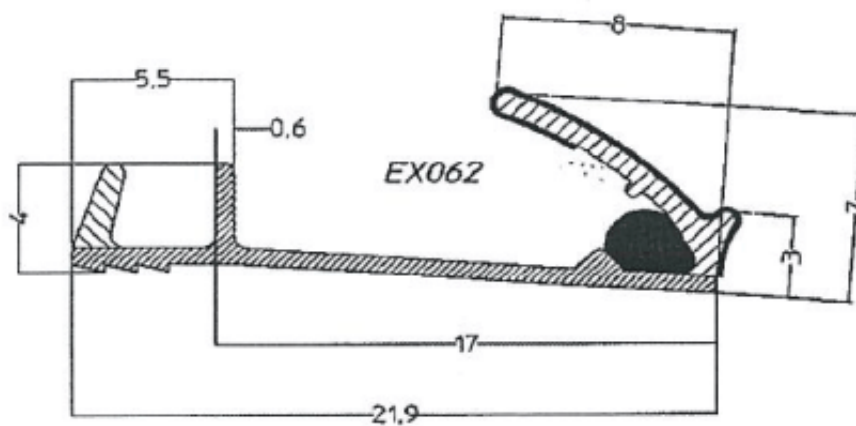
EX061

with protection foil



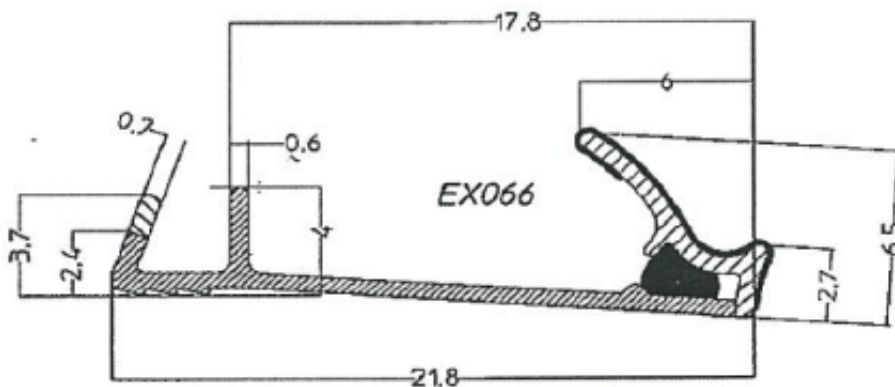
EX062

with protection foil

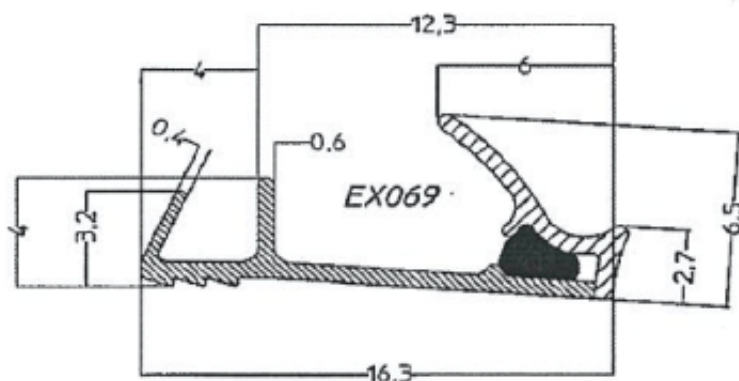


EX066

with protection foil

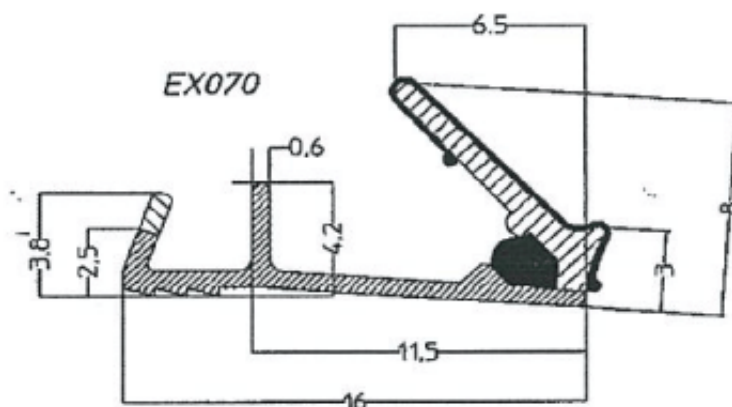


EX069



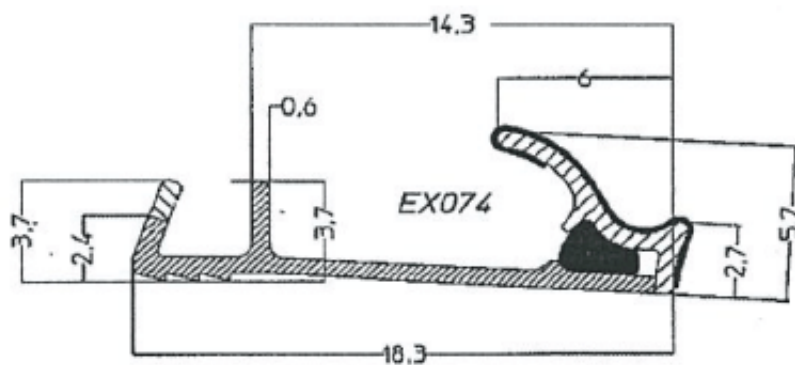
EX070

with protection foil



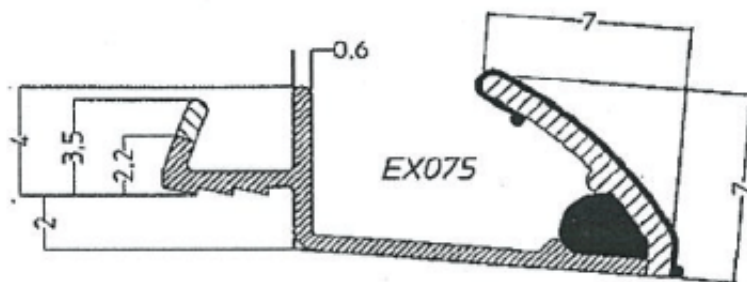
EX074

with protection foil

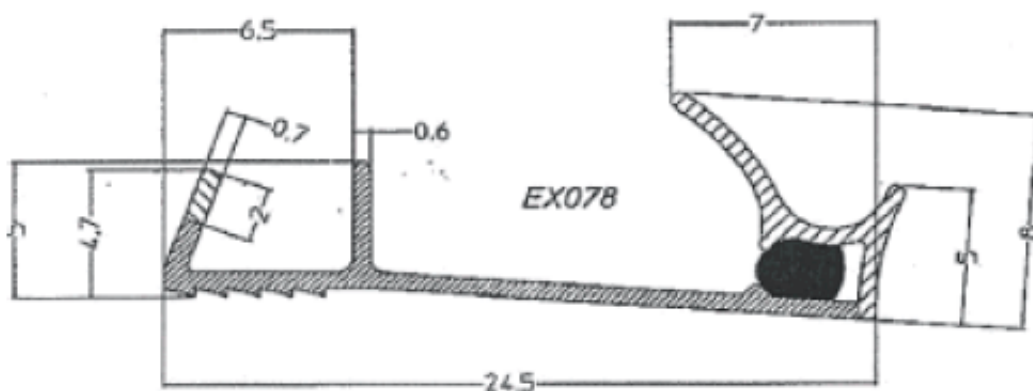


EX075

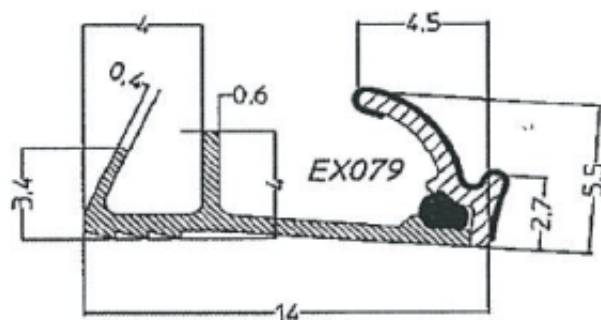
with protection foil



EX078



EX079



EX082

