



Extruded Seals

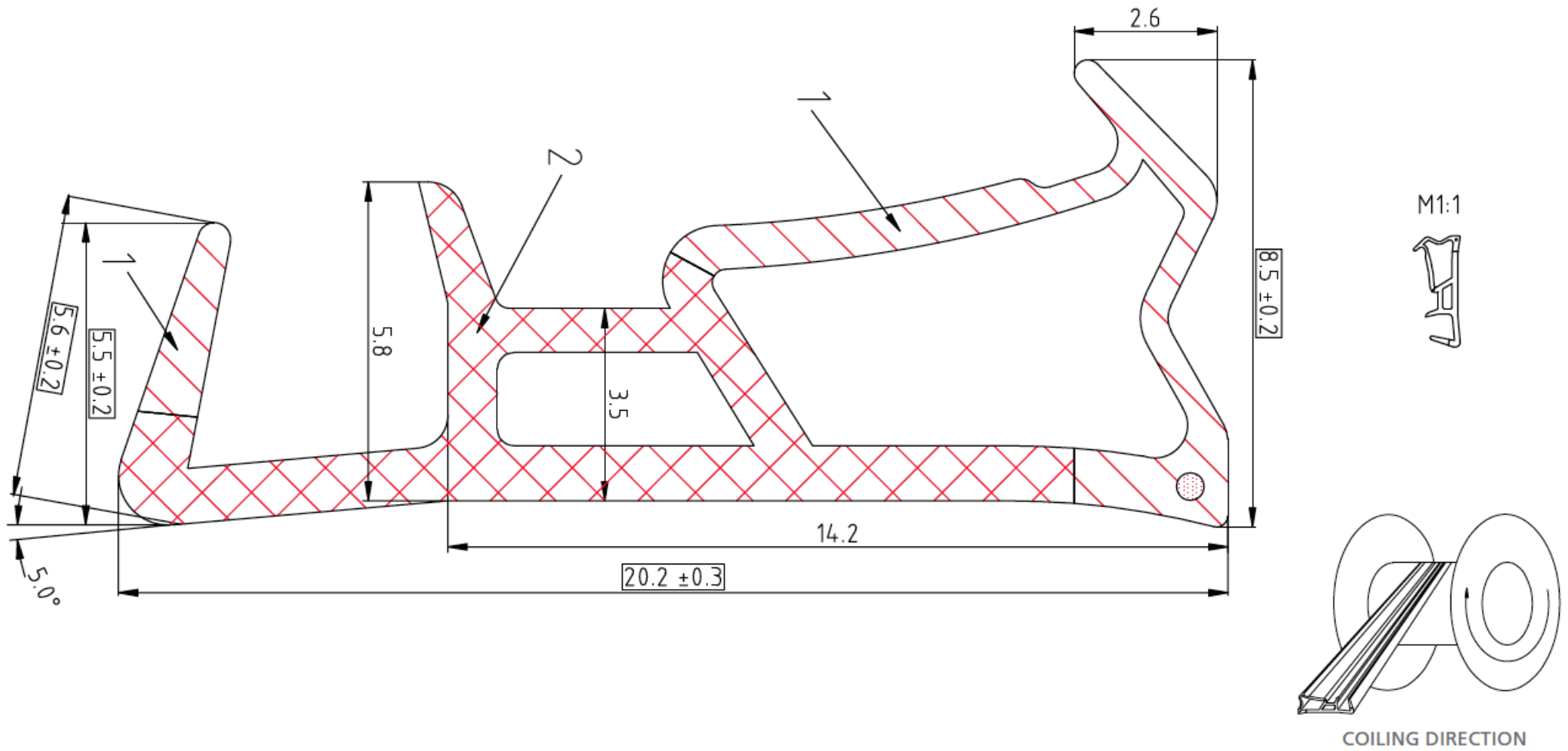
[UPVc TILT AND TURN WINDOWS]

Novaseal, Lozaron

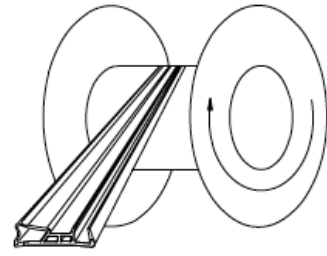
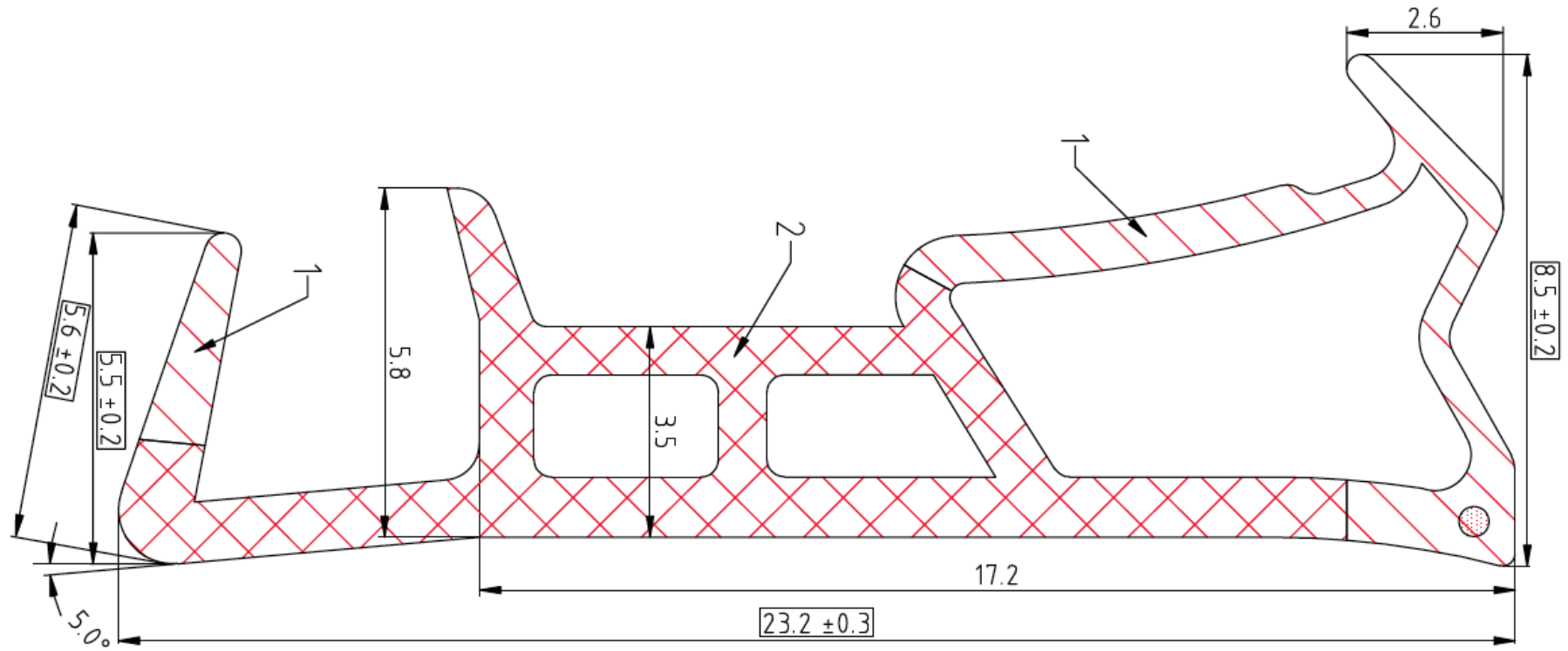
Schlegel Germany GmbH Bredowstrasse 33, 22113 Hamburg Deutschland

Tel: +49 407 33 290 Fax: +49 407 332 9219 email: schlegelde@schlegel.eu.com www.schlegel.com www.grouphomesafe.com

LOZARON™ 1430



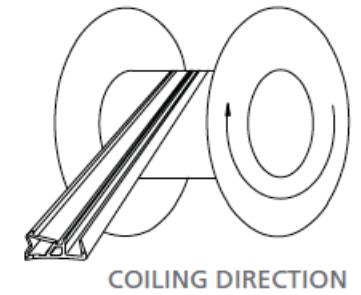
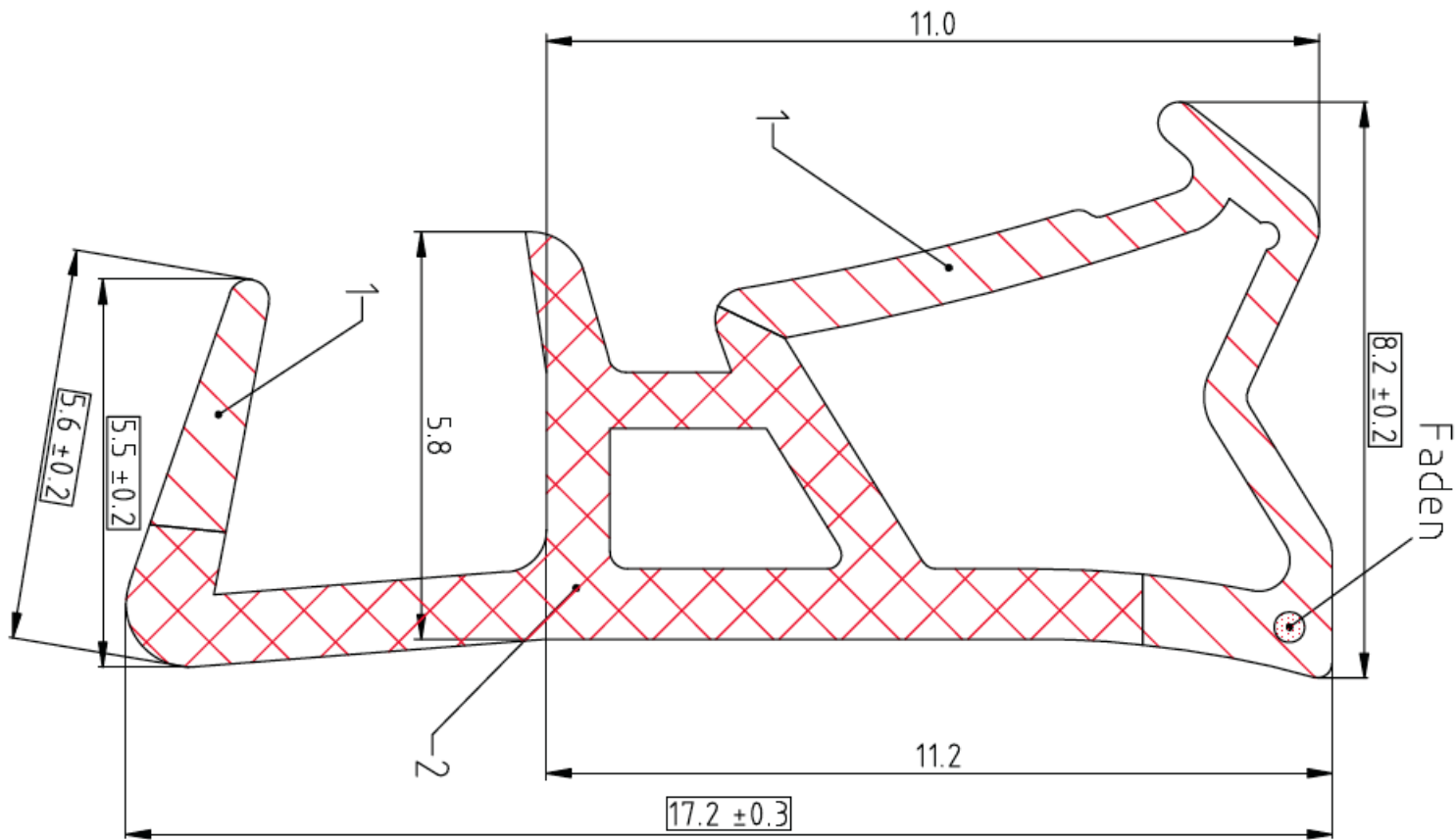
LOZARON™ 1431



COILING DIRECTION



LOZARON™ 1432

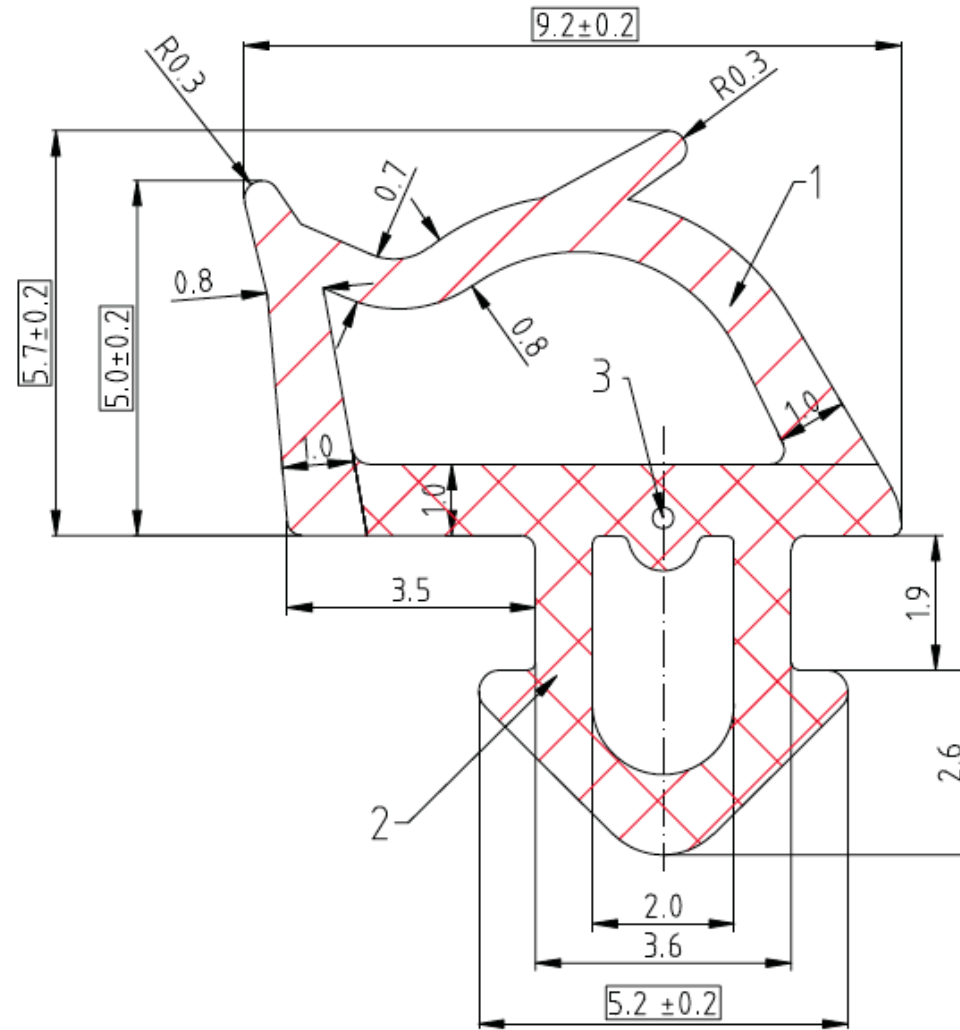


M1:1



Faden

LOZARON™ 1435

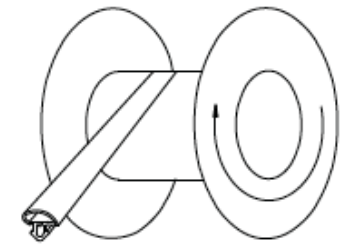
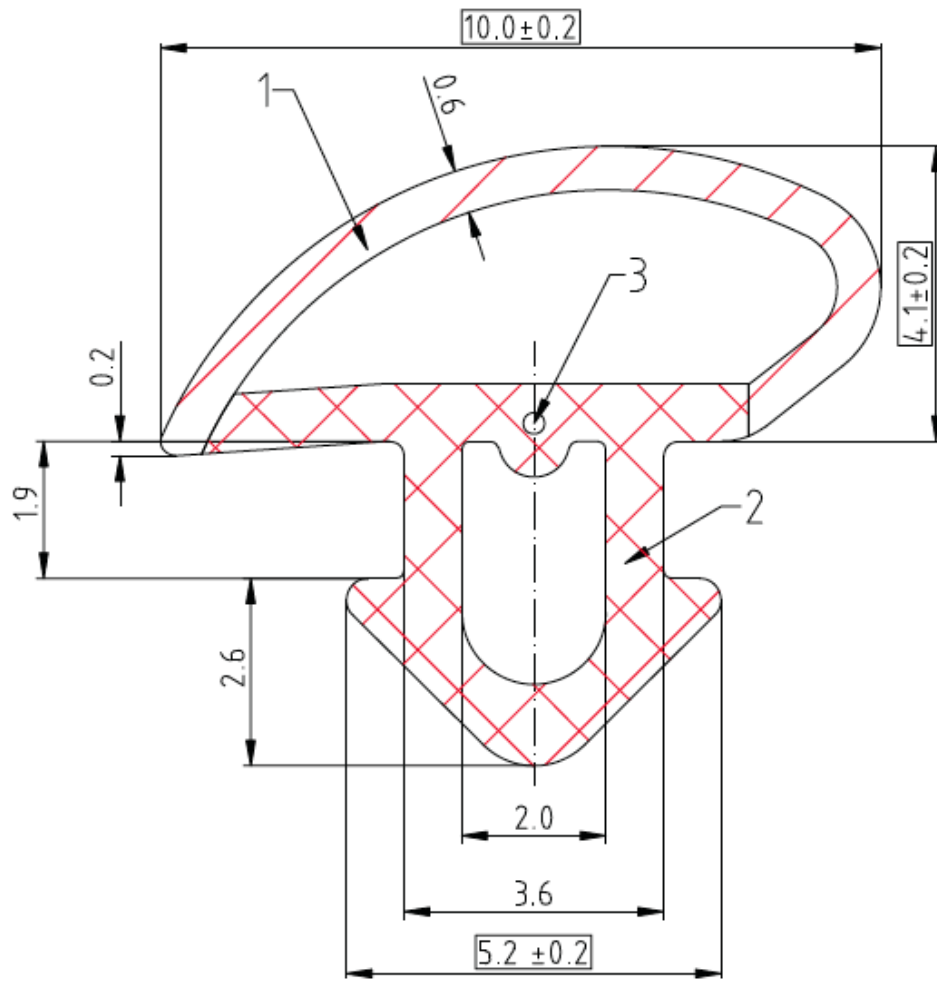


COILING DIRECTION

M1:1



LOZARON™ 1445

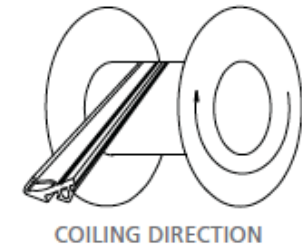
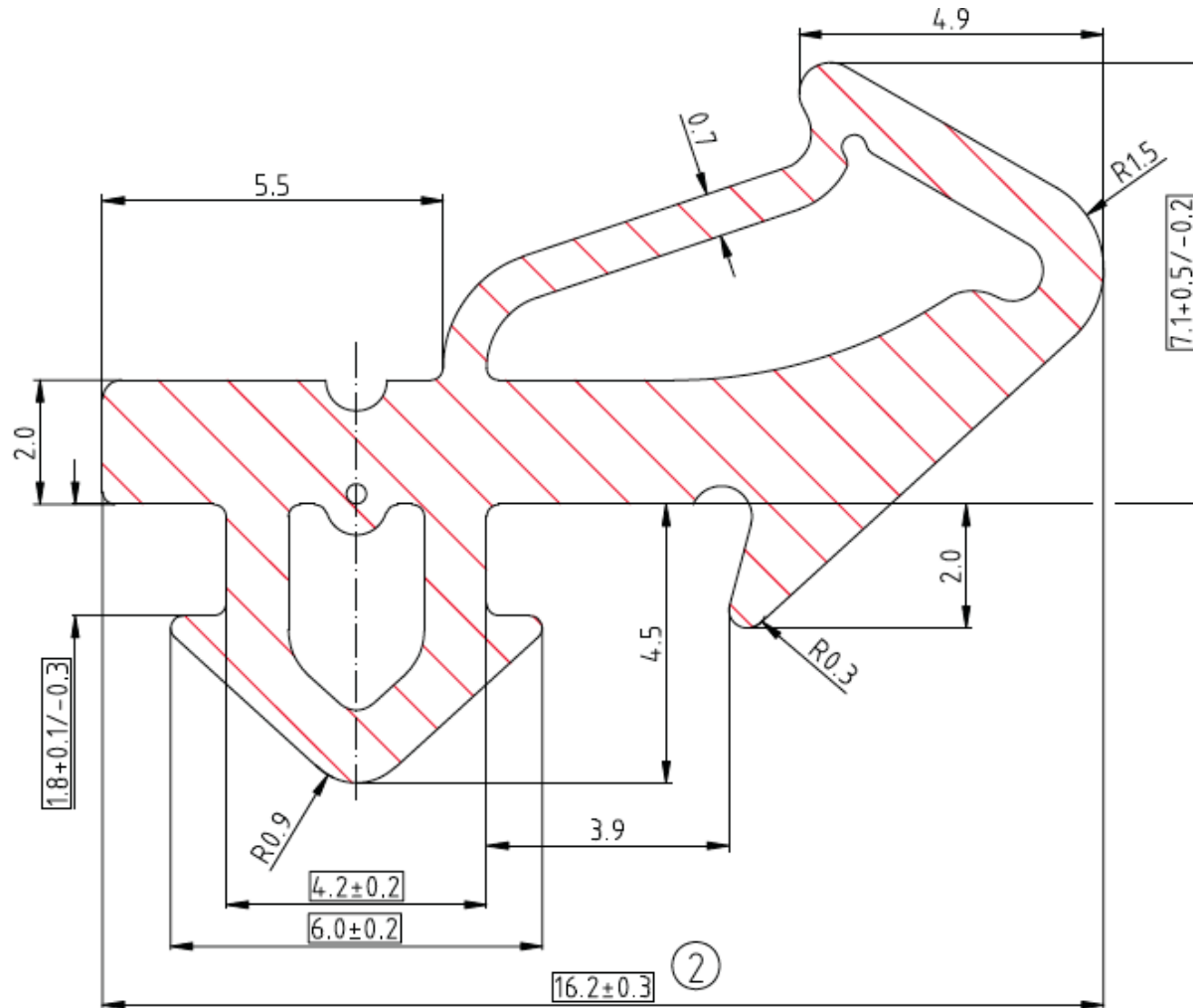


COILING DIRECTION

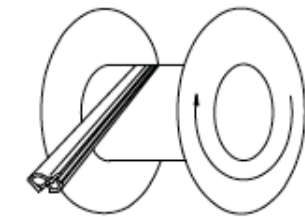
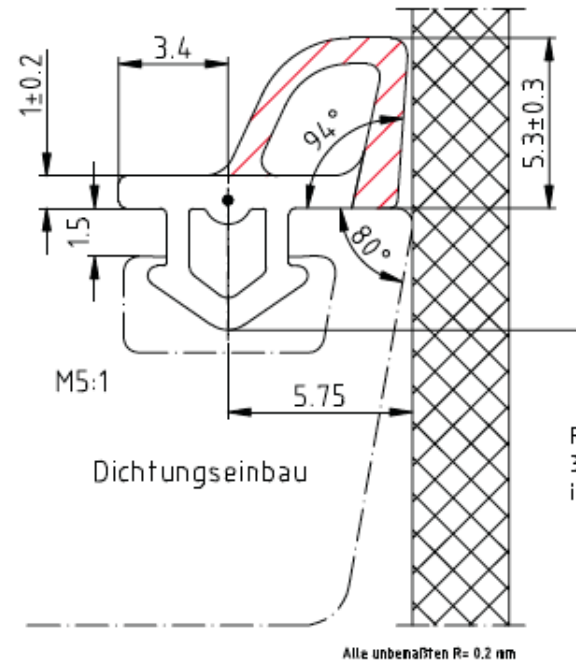
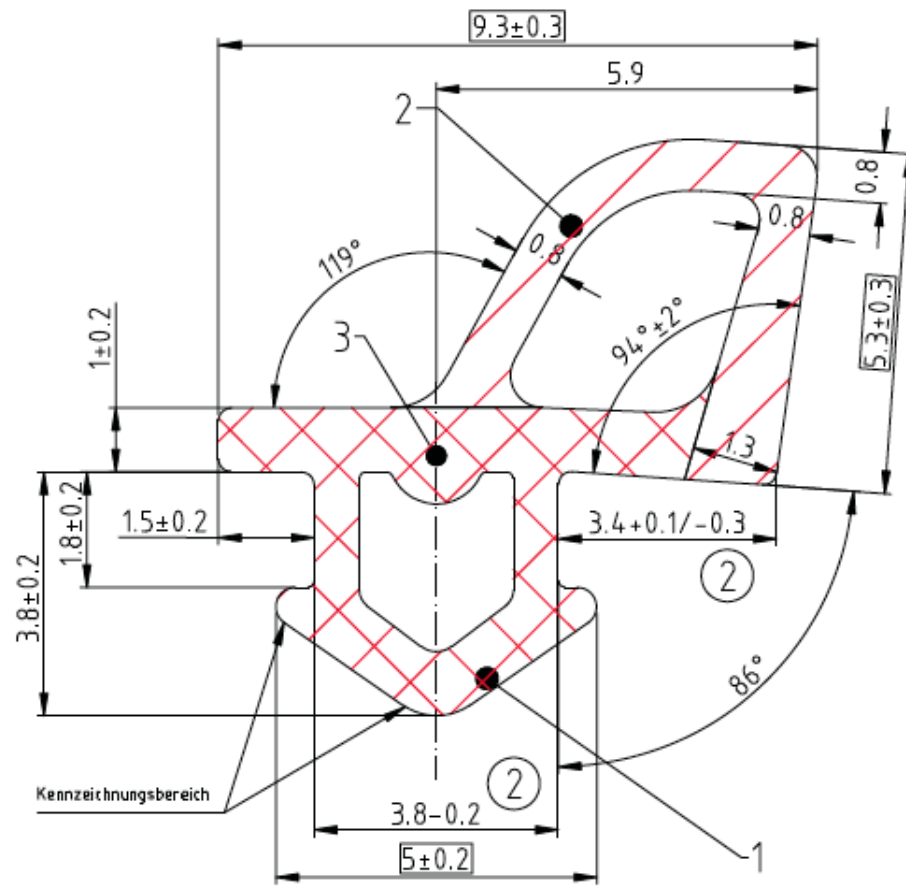
M1:1



LOZARON™ 1447



LOZARON™ 1448



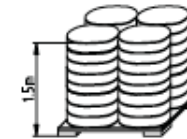
COILING DIRECTION

für BLR - FLG
Trommel $\approx 250m$

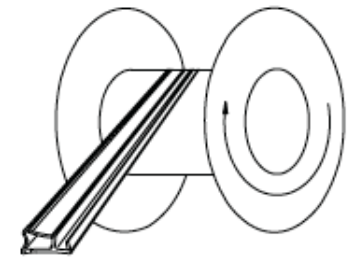
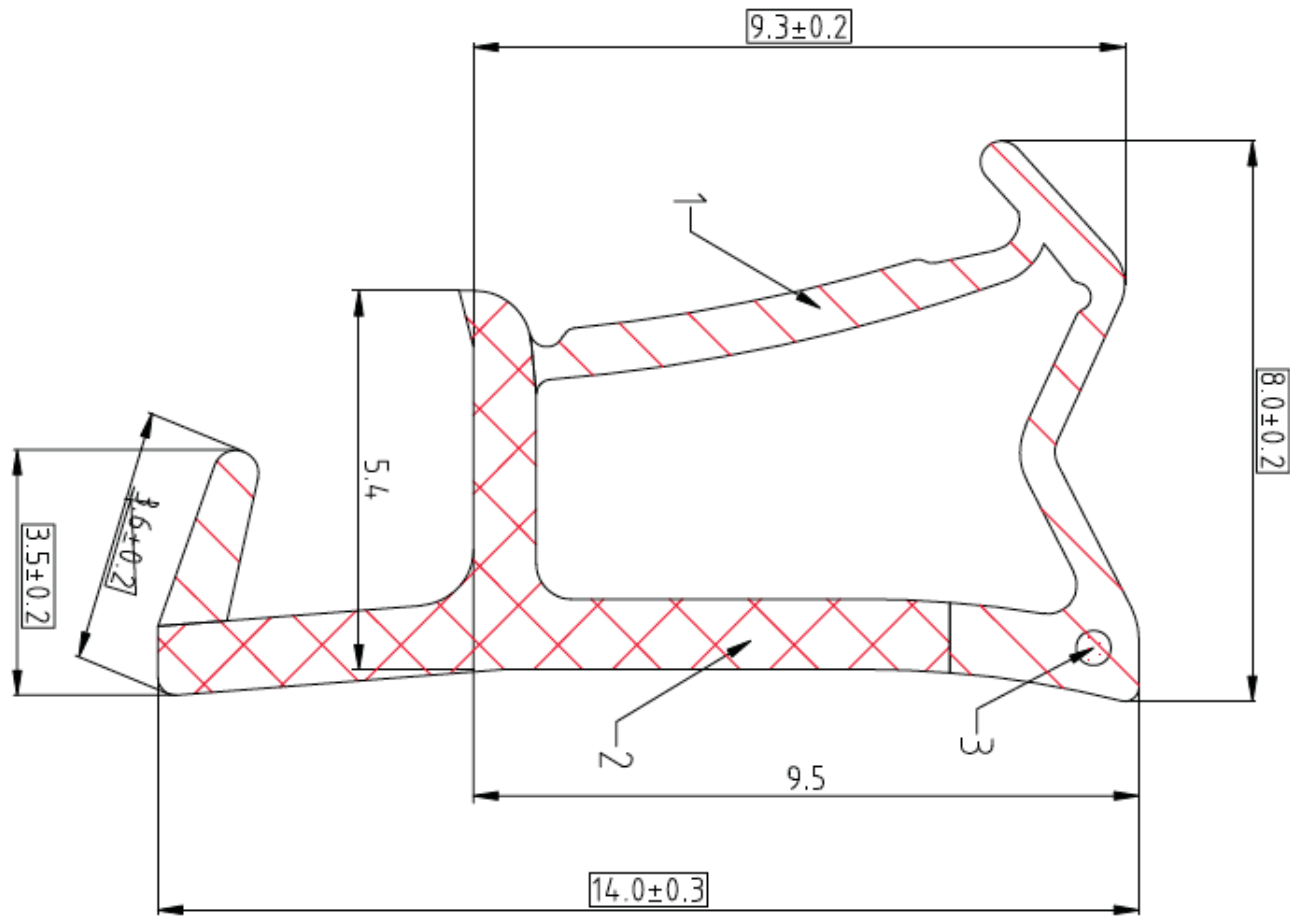
M1:1



Palette: 1200 x 1200
32 Rollen x 220m = 7040m
in Folie eingestreckt



LOZARON™ 1452

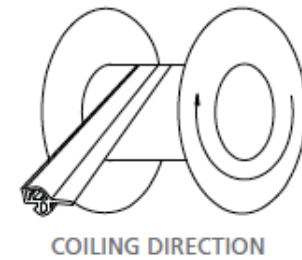
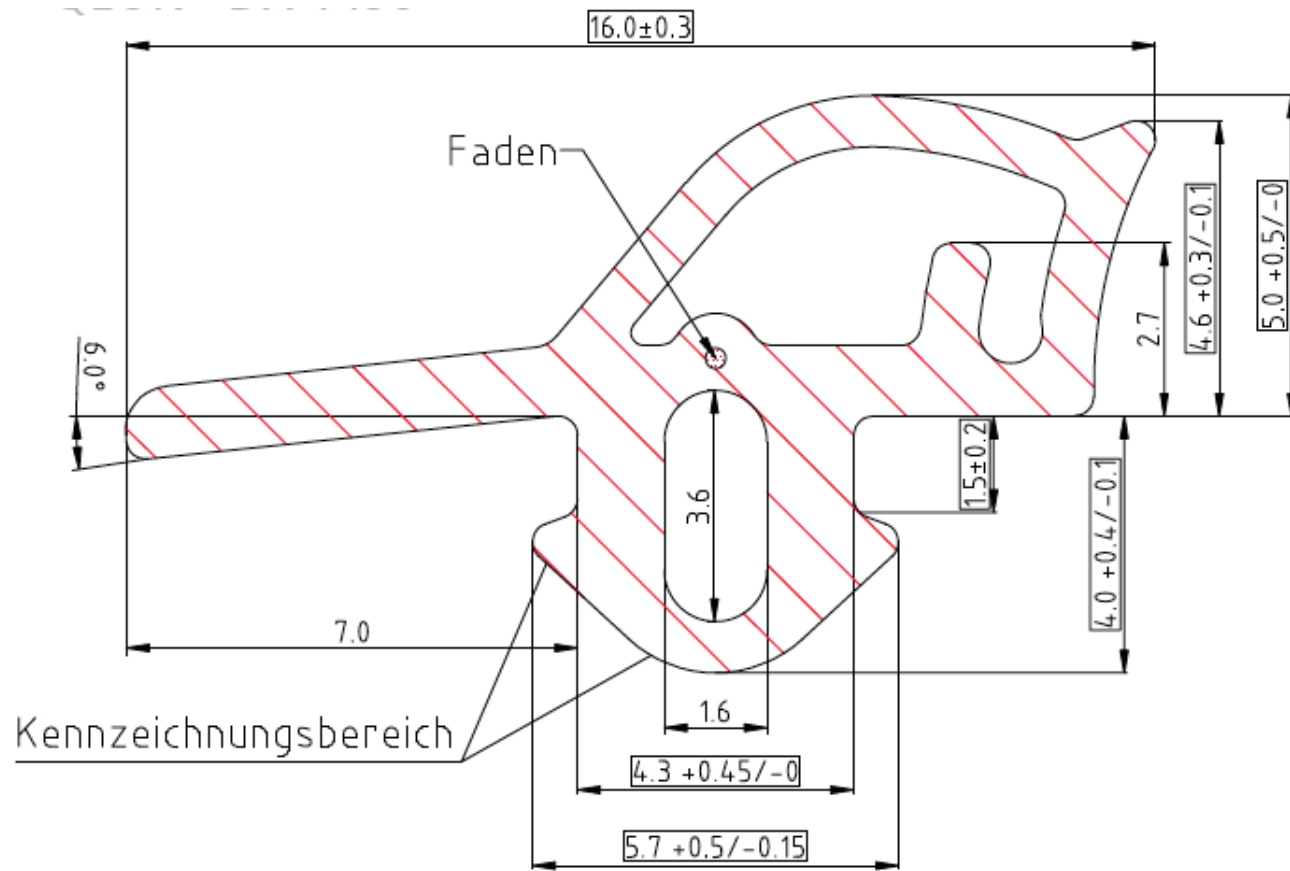


COILING DIRECTION

M1:1



LOZARON™ 1456



M1:1



