



grouphomesafe▲

Hardware

[TIMBER VERTICAL SLIDING WINDOWS]



The Schlegel Fitch Catch & Accessories

The high quality fitch catch & accessories for vertical sliding & casement windows

“Cost Effective, Easy to fit, Easy to use”

With over 50 years of global experience in the design and manufacture of outstanding window and door products, Schlegel has become the industry's first choice for not only weather seal product, but also locking and security systems.

Benefits of the Schlegel Fitch Catch

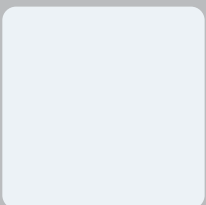
- The Schlegel Fitch Catch design offers a fully enclosed mechanism with simplified casing for ease of cleaning.
- The 2 keep sizes accommodate a wide variety of window designs.
- Schlegel's Catch body has been purposely designed with a large radius and curved edges to improve plating quality and to reduce the risk of damage.
- Aesthetically pleasing design.
- Standard and lockable options available.
- Suitable for Timber, PVCu and Aluminium windows.
- Gold plated finish tested to 96hrs neutral salt spray resistance as per BS1670.

Fitch Catch Options

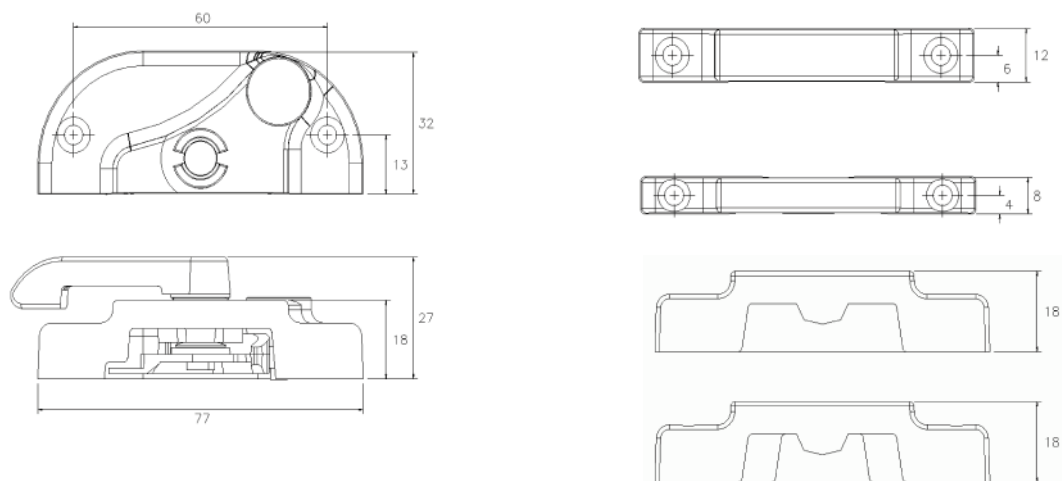
- Standard (Non-Lockable)
- Lockable
- 11.6mm Keep
- 8mm Keep

Fitch Catch Options

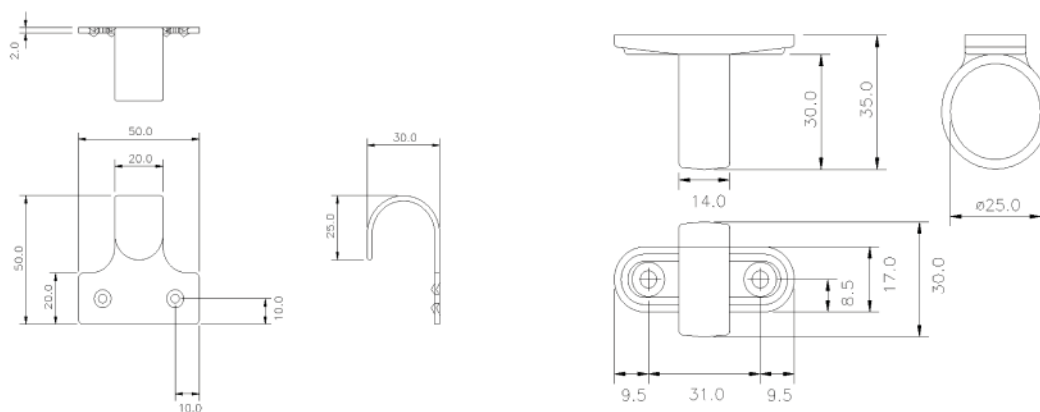
- Polished gold plated with clear lacquer
- Polished bright chrome plated
- White powder coat
- Polished satin chrome plated



Schlegel Fitch Catch & Keeps



Schlegel Sash Lifts



Description	White	Gold	Bright Chrome	Satin Chrome
FITCH CATCH NON LOCKABLE	28502005	28502015	28502025	28502035
FITCH CATCH LOCKABLE	28502000	28502010	28502020	28502030
8MM KEEP	28521950	28521955	28521960	28521965
11MM KEEP	28521900	28521905	28521910	28521915
SASH LIFT	28562900	28562910	28562920	28562930
RING PULL	28521800	28521805	28521810	28521815

