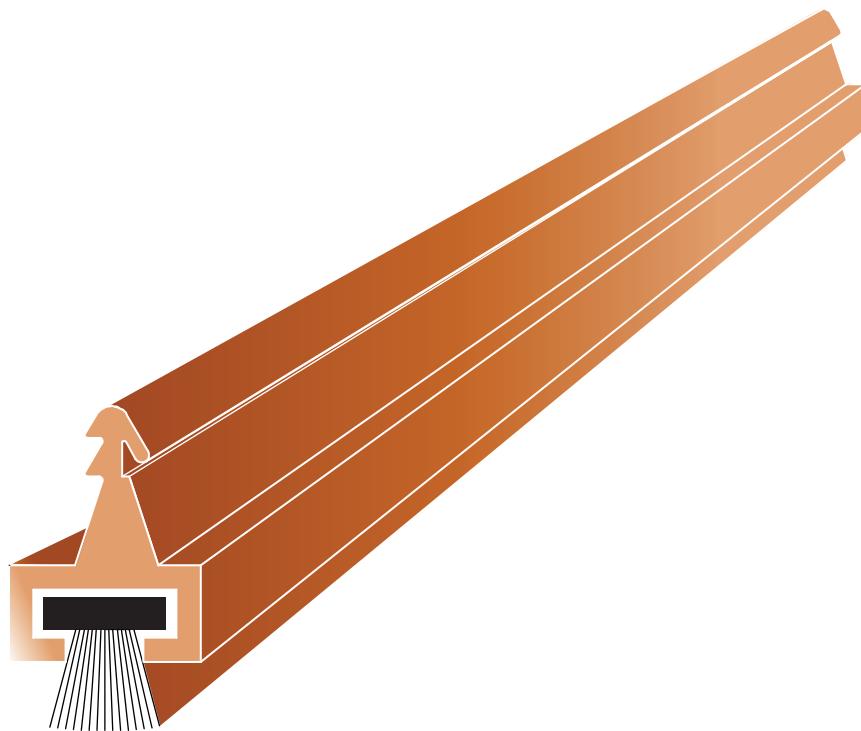




grouphomesafe▲

# Pile Seals

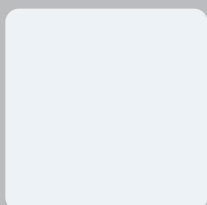
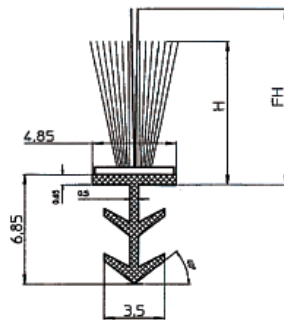
[TIMBER SLIDING WINDOWS]



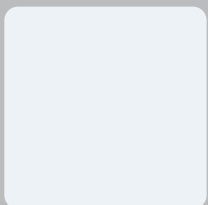
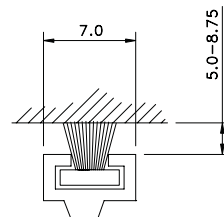
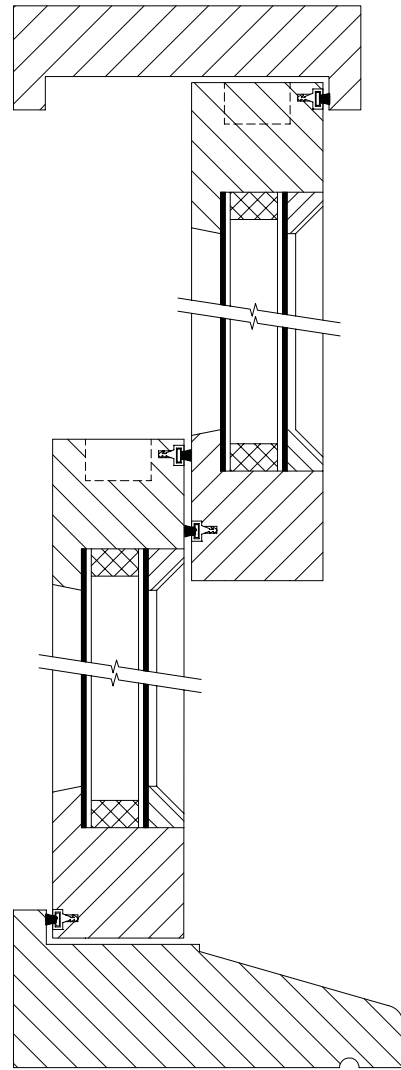
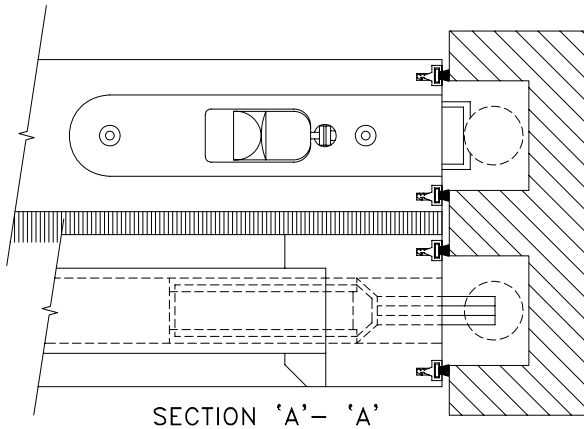
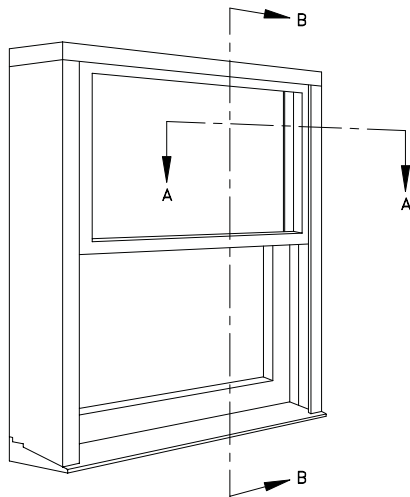
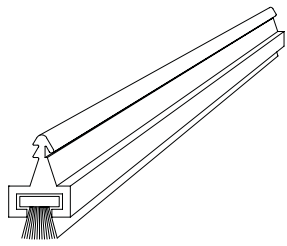
# Kerf + Pile Weatherseal

<b>Product Name</b>	kerf + Pile Weatherseal
<b>Shape Reference nr</b>	EX018bis
<b>Product Description</b>	Kerf pile weatherseal is made of a rigid barbed profile, with a classic pile weatherstrip with or without centre fin heatwelded onto the profile.
<b>Application</b>	Sliding and sweeping seal in wood windows or doors.
<b>Materials</b>	Profile: Rigid, extruded 100% polpropylene. Brush: Woven multifilament Pile Weatherseal 100% polpropylene.
<b>Properties</b>	Brush heights from 5mm up to 25mm. Brush density: Standard 3P or Dense 4P Optional fin: height flush with brush, or up to 3mm above. Optional fin: standard opaque polypropylene or silent black non woven.
<b>Colours</b>	Profile: Black, Grey, White, Lightoak/Beige, Darkbrown Pile seal: Black, Grey, White, Lightoak/Beige, Darkbrown pile backing colour is white unless otherwise specified.
<b>Packaging</b>	<ul style="list-style-type: none"><li>• Coiled &amp; boxed: Ex: 250m/coil 2*250m/box</li><li>• Cut to required length &amp; boxed. Ex: Length=2150mm, 300pcs/box. Quantity depends on brush height.</li></ul>
<b>Ordering</b>	Kerf+Pile. EX018bis black. Pile black 3P density., height H = 10mm. Fin height FH+12mm Cut to length 2150mm±5 & boxed.

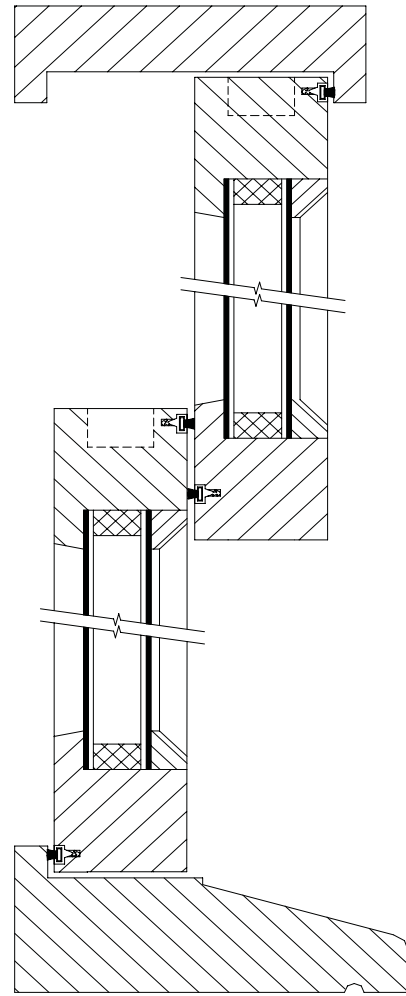
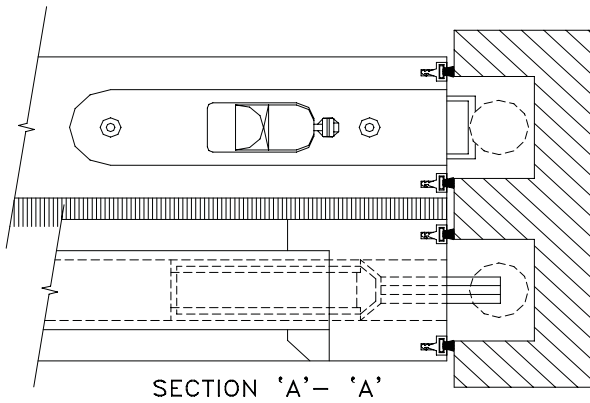
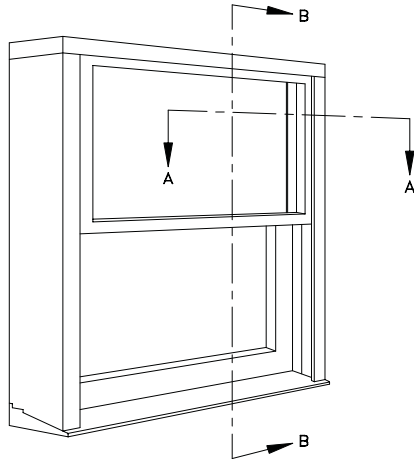
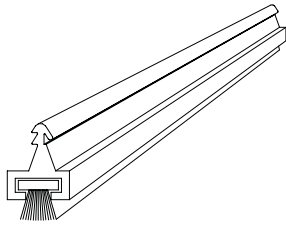
## Technical



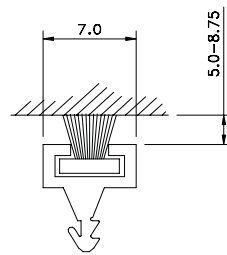
# Smoke seal Sash position



# Smoke seal & Plant on a QuickFit - router details



SECTION 'B' - 'B'



60352-0A

