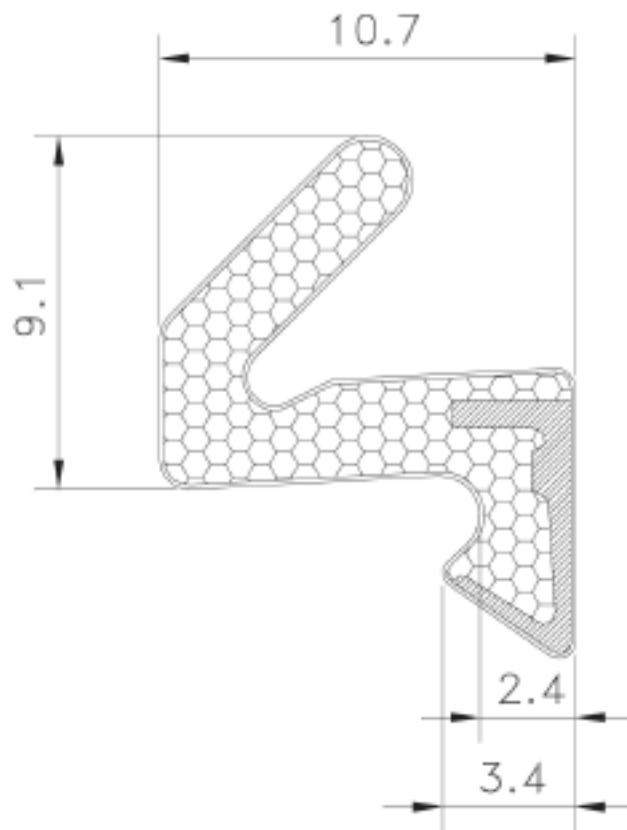




# Foam Seals

[TIMBER DOORS]

Qlon - Aquamac



# AQUAMAC™ and QLON™ the ultimate weatherseal

With over 50 years of global experience in the design and manufacture of outstanding window and door products, it is little wonder that Schlegel has become the industry's first choice for not only weatherseal products, but locking and security systems, handles and hardware.

The Unique Aquamac and QLON weatherseal has been developed in consultation with our customers to offer the widest range of seals possible for aluminium windows and doors. The unique design has made Aquamac and QLON impervious to paint and stain, while still providing some of the best energy saving performance characteristics currently available.

Backed by our lifetime guarantee, Aquamac and QLON will never let you or your customer down, making it a highly cost effective way of offering continuous high standards of weathersealing, year after year.

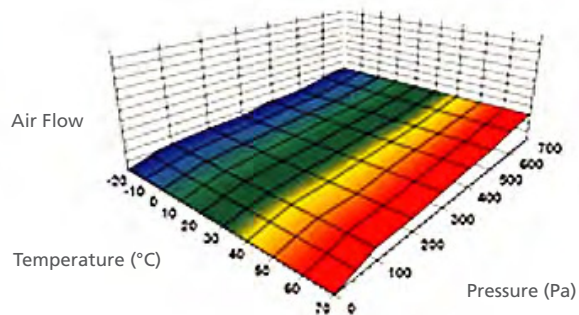


Window performance using EPDM flipper seal

## OUTSTANDING ENERGY EFFICIENCY

Specially designed to meet the different demands of aluminium windows and doors, Aquamac and QLON maintains consistently high standards of energy efficiency, often exceeding any long-term window performance guarantees.

- Exceptional performance maintained over a wide temperature range. Doesn't shrink or stretch, even in extreme climatic conditions.
- Excellent memory - retains its original shape year after year to maintain a consistently high standard or weatherseal.
- Kerf tolerances have been increased and are more forgiving of your manufacturing process -2.7mm ± 0.3mm.
- Compensates for window movement.
- Lower insertion forces speed up fitting by 15%

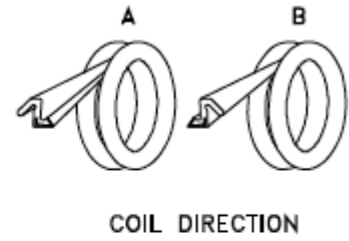
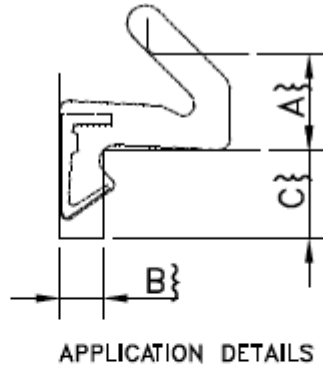
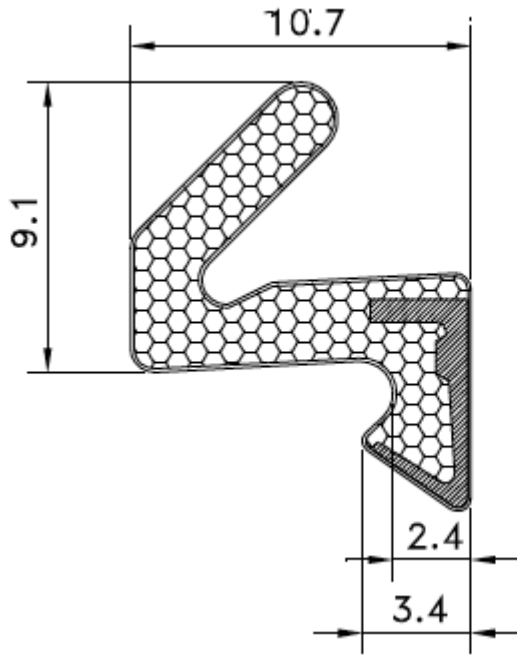


Window performance using EPDM flipper seal

The graph shows the weather performance against competitor gaskets and demonstrates that Aquamac and Qlon provides less air leakage over a wide temperature range when compared to our competitors.

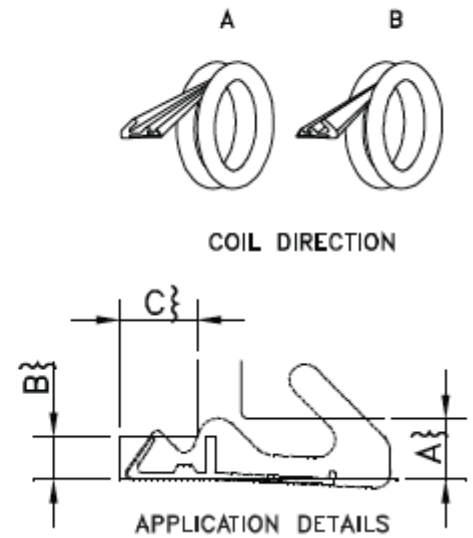
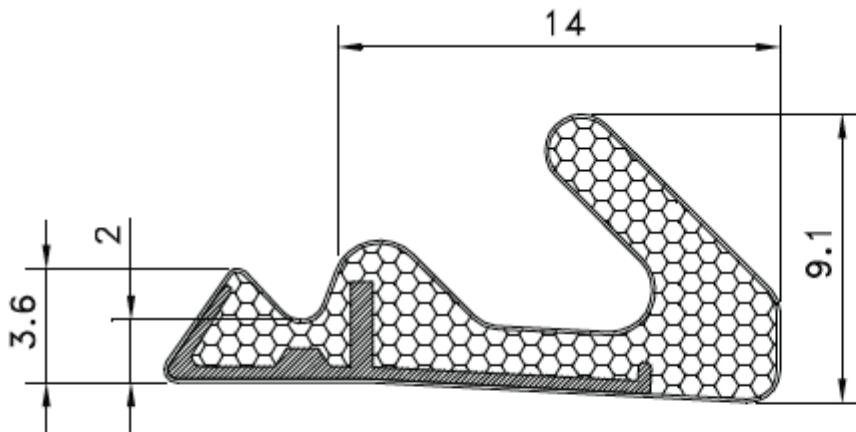


# AQUAMAC™ 21



TECHNICAL SPECIFICATION: A, SEAL GAP: 5.0mm MIN to 7.5mm MAX  
 B, KERF SLOT WIDTH: 2.7mm NOMINAL  
 C, MINIMUM KERF SLOT DEPTH 5.5mm

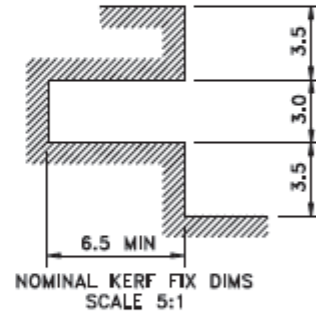
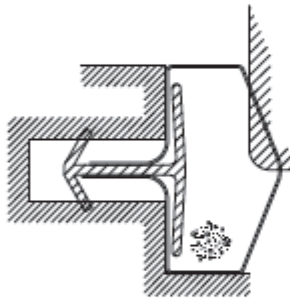
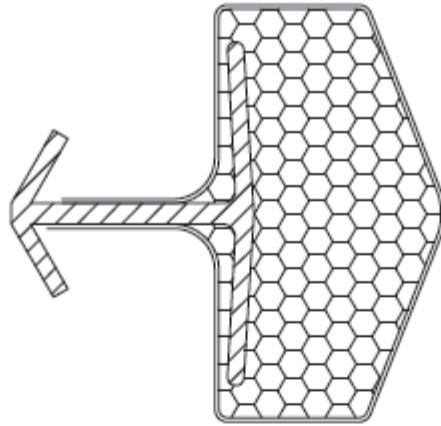
# AQUAMAC™ 124



TECHNICAL SPECIFICATION: A, SEAL GAP: 5.0mm MIN to 7.3mm MAX  
 B, KERF SLOT WIDTH: 3.0mm NOMINAL  
 C, MINIMUM KERF SLOT DEPTH 6.5mm



# QLON™ 50



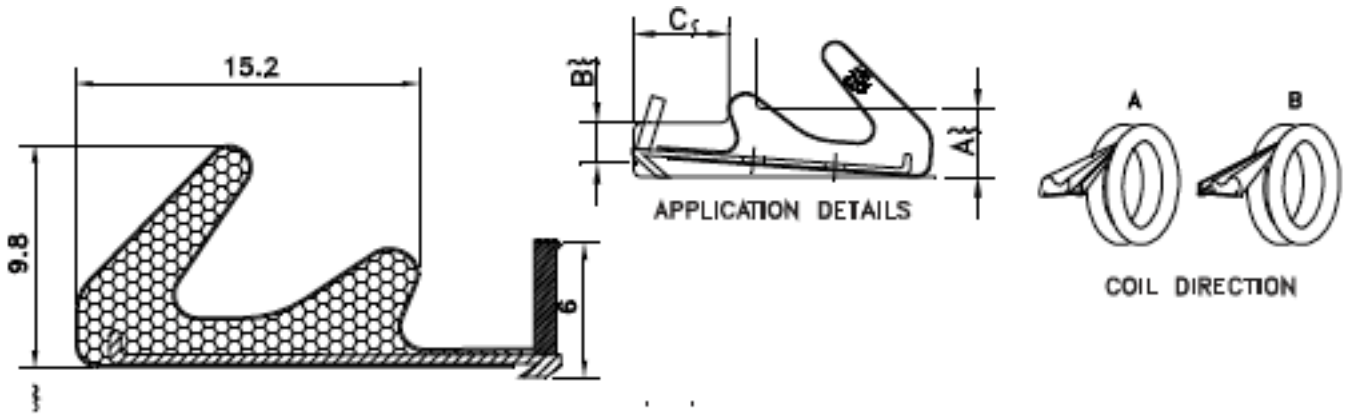
## APPLICATION DETAILS

### TECHNICAL SPECIFICATION

- A, SEAL GAP. TBA
- B, RETENTION SLOT THROAT. 3.0mm NOMINAL
- C, MINIMUM POCKET DEPTH 6.5mm

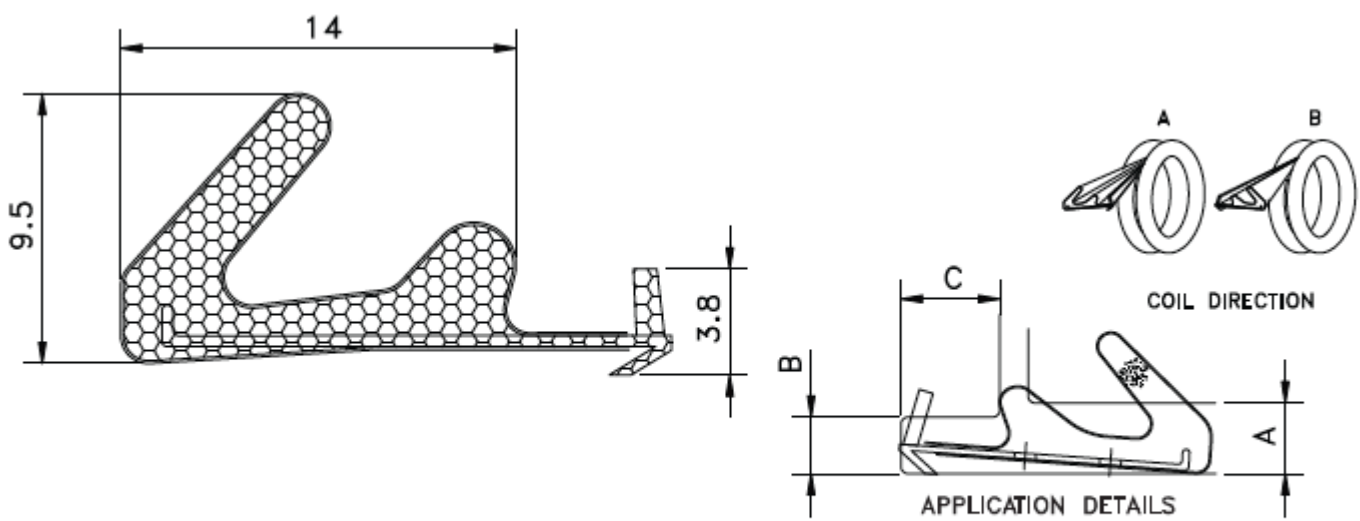


# QLON™ 3091



TECHNICAL SPECIFICATION: A, SEAL GAP 4.5mm MIN to 7.5mm MAX  
B, KERF SLOT WIDTH. 3.0mm NOMINAL  
C, MINIMUM KERF SLOT DEPTH 5.5mm

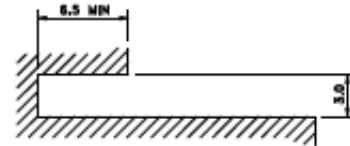
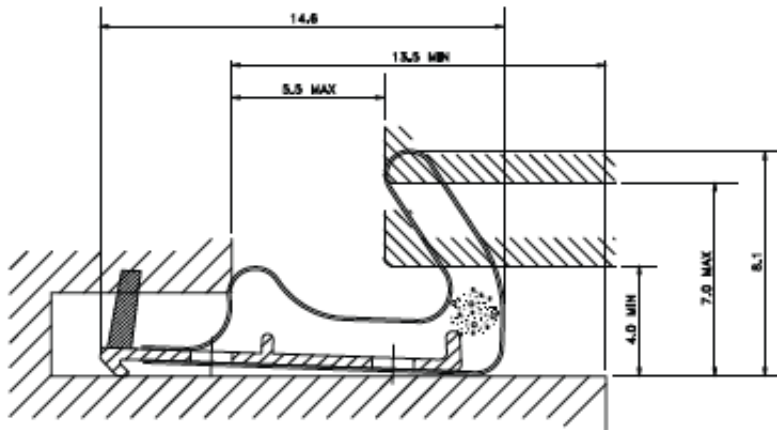
# QLON™ 3093 (EX-BARB)



TECHNICAL SPECIFICATION: A, SEAL GAP. 5.0mm MIN to 8.0mm MAX  
B, KERF SLOT WIDTH. 2.7mm NOMINAL  
C, MINIMUM KERF SLOT DEPTH 5.5mm



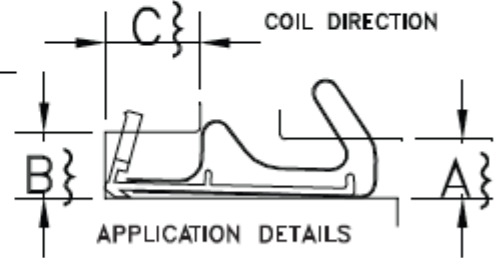
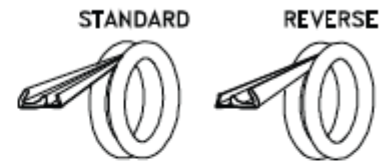
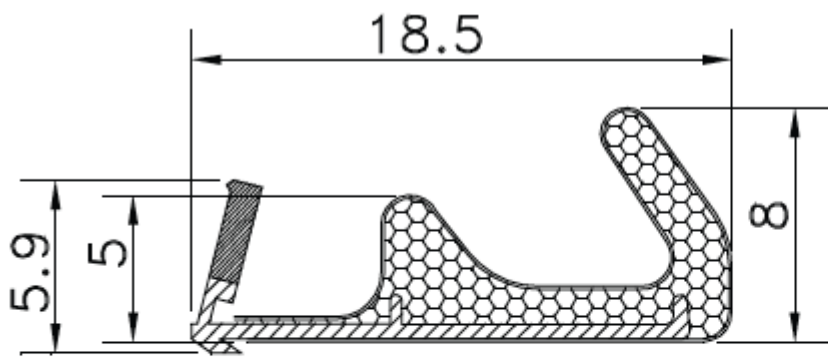
# QLON™ 3094



NOMINAL KERF FIT DIMS  
SCALE 5:1

- NOTES:-  
1. DIMENSIONS ARE NOMINAL UNLESS OTHERWISE STATED  
2. INFORMATION ON DRAWING MAY CHANGE WITHOUT NOTICE

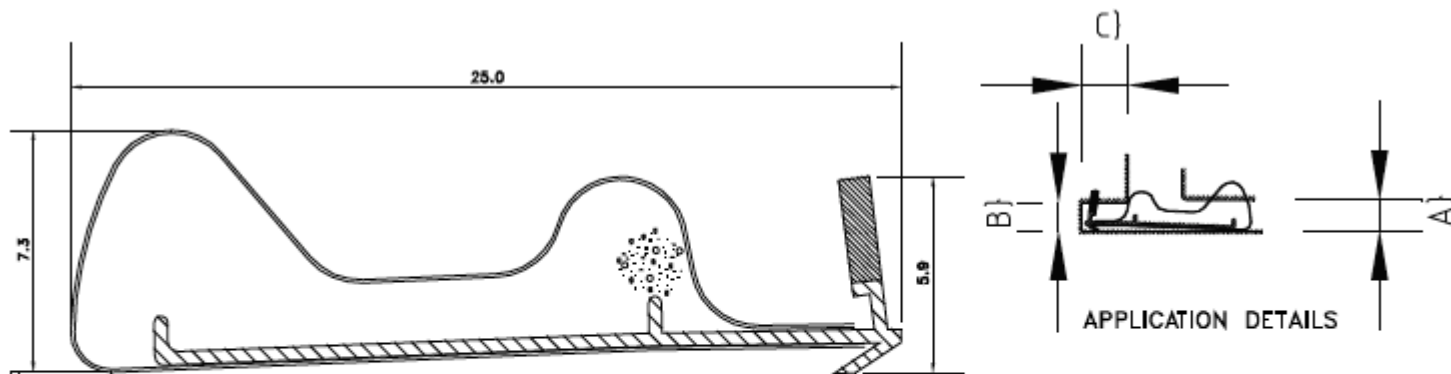
# QLON™ 3096



TECHNICAL SPECIFICATION: A, SEAL GAP. 4.0mm MIN to 7.0mm MAX  
B, KERF SLOT WIDTH. 4.5mm NOMINAL  
C, MINIMUM KERF SLOT DEPTH 6.5mm

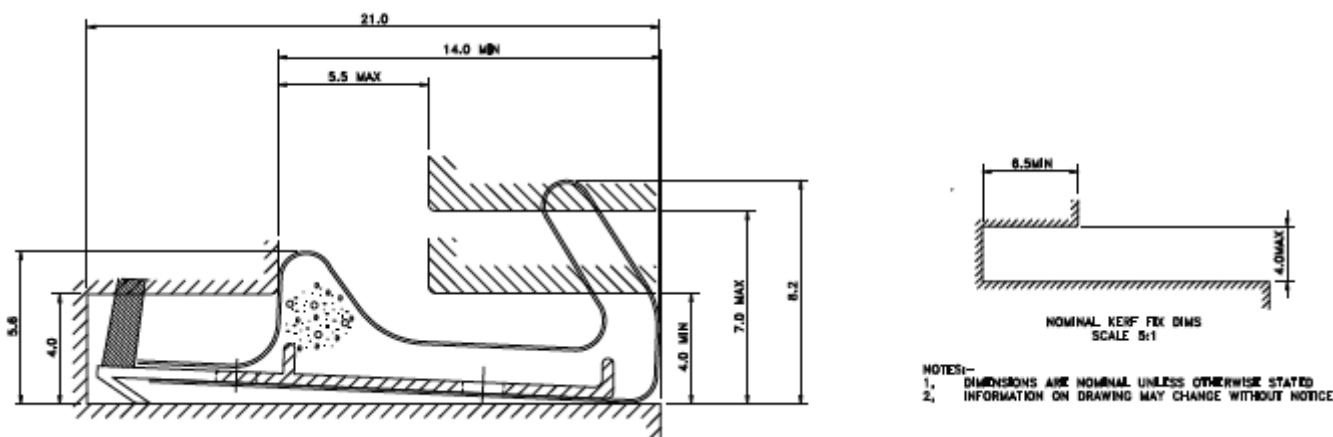


# QLON™ 3097

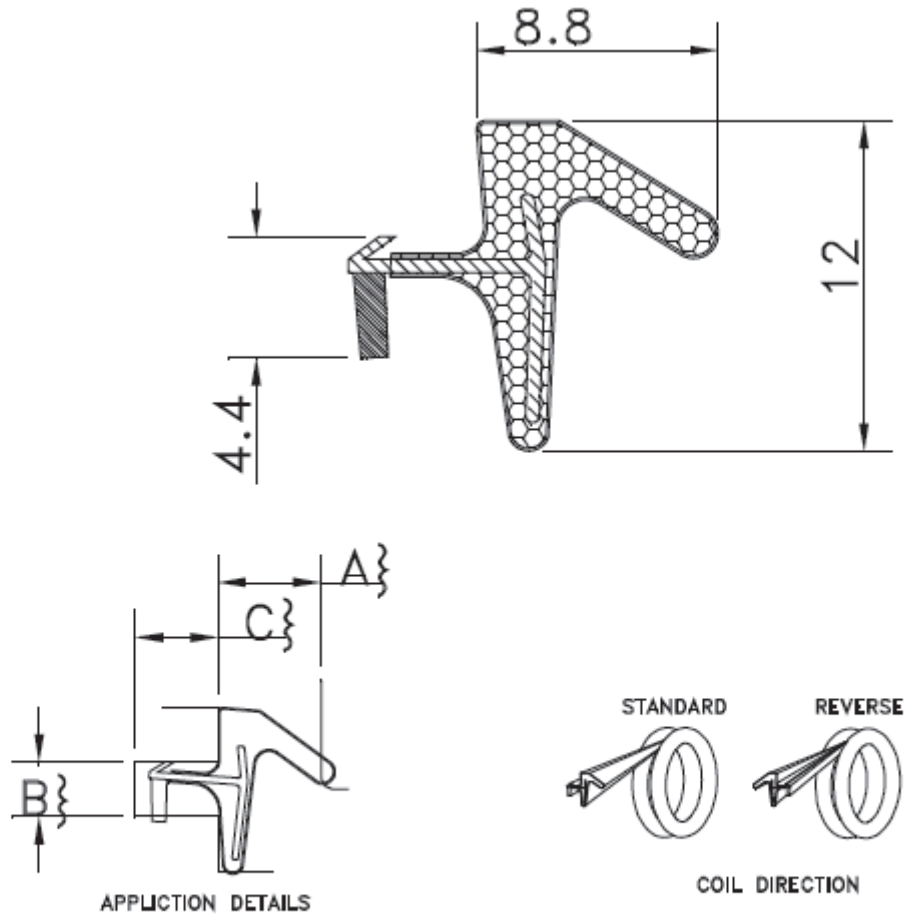


TECHNICAL SPECIFICATION: A, SEAL GAP. 3.5mm MIN to 5.5mm MAX  
 B, RETENTION SLOT THROAT. 4.2mm NOMINAL  
 C, MINIMUM POCKET DEPTH 7.0mm

# QLON™ 3098



# QLON™ 3100

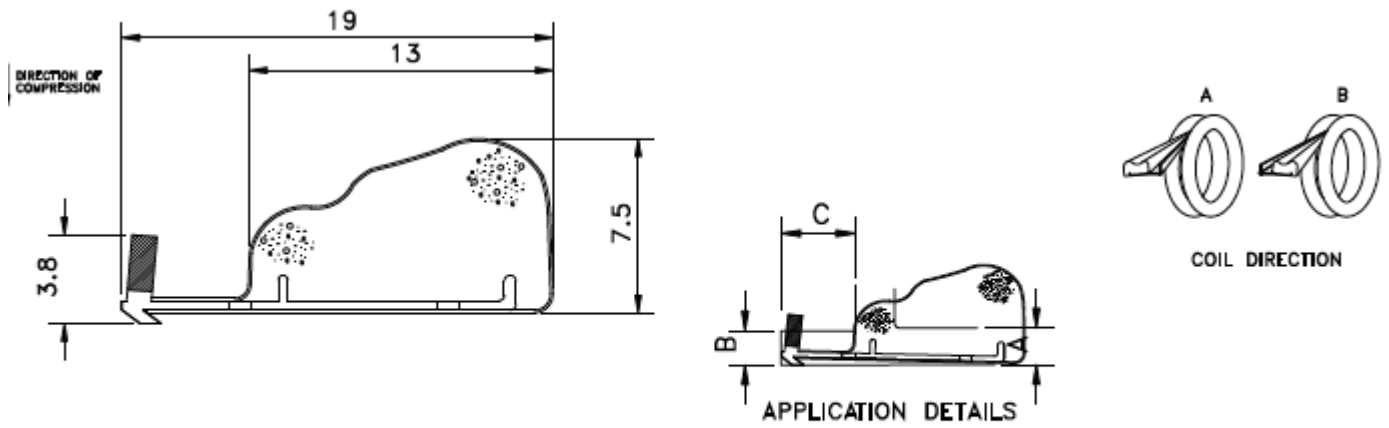


## TECHNICAL SPECIFICATION

- A, SEAL GAP. 4.0mm MIN TO 7.5mm MAX
- B, RETENTION SLOT THROAT. 3.8mm NOMINAL
- C, MINIMUM POCKET DEPTH 6.5mm



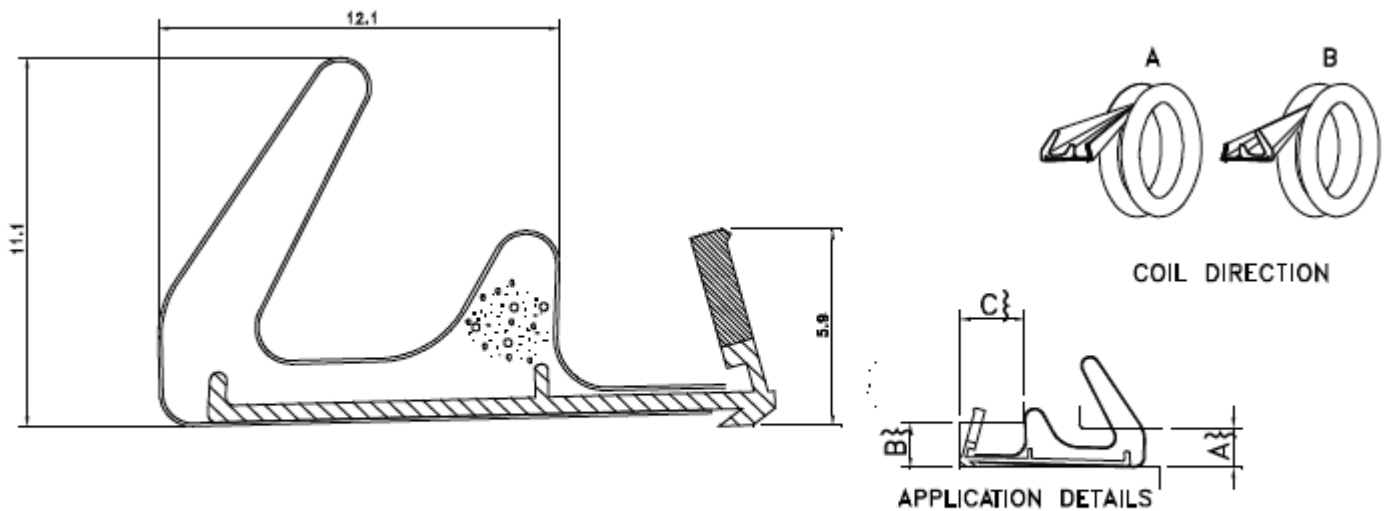
# QLON™ 3101



TECHNICAL SPECIFICATION: A, SEAL GAP. 4.5mm MIN to 6.5mm MAX  
B, KERF SLOT WIDTH. 3.0mm NOMINAL  
C, MINIMUM KERF SLOT DEPTH 7.0mm

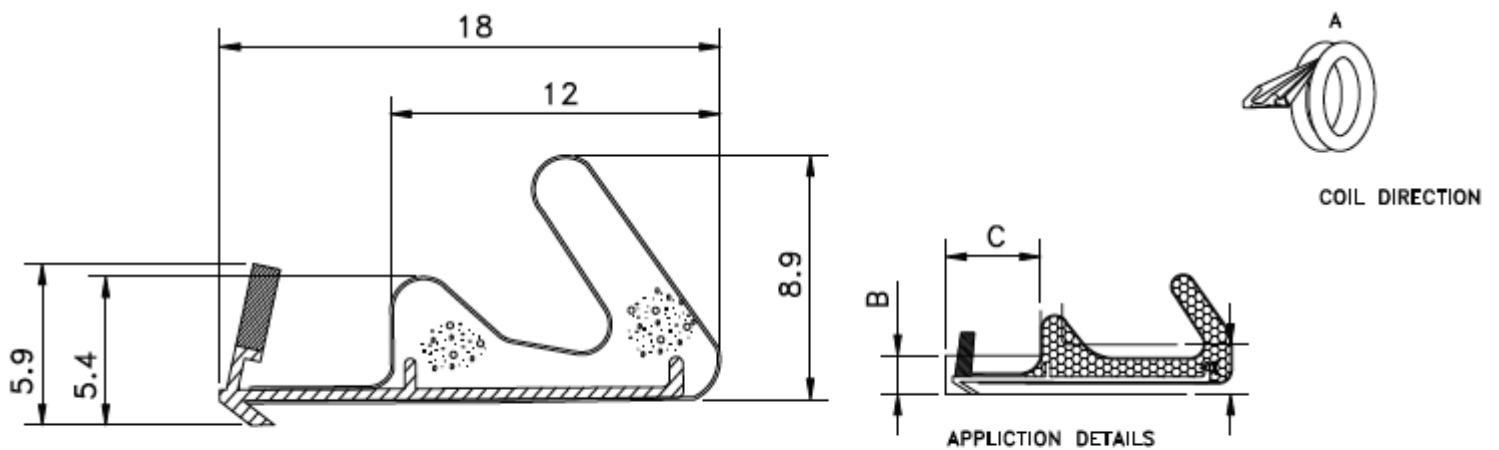


# QLON™ 3104



TECHNICAL SPECIFICATION: A, SEAL GAP. 5.0mm MIN to 10.0mm MAX  
 B, KERF SLOT THROAT. 4.5mm NOMINAL  
 C, MINIMUM POCKET DEPTH 7.5mm

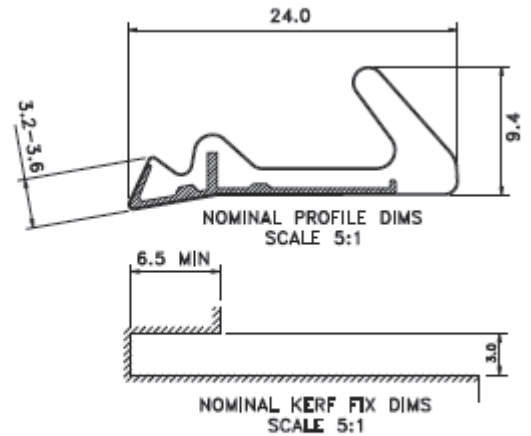
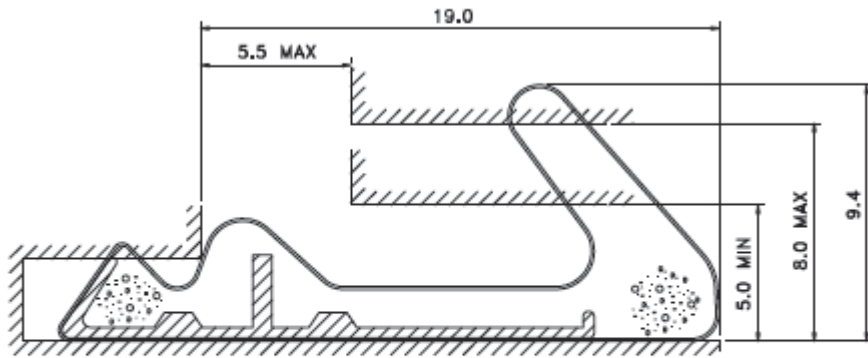
# QLON™ 3120



TECHNICAL SPECIFICATION: A, SEAL GAP. 3.0mm MIN to 7.0mm MAX  
 B, KERF SLOT WIDTH. 3.8mm NOMINAL  
 C, MINIMUM KERF SLOT DEPTH 7.0mm



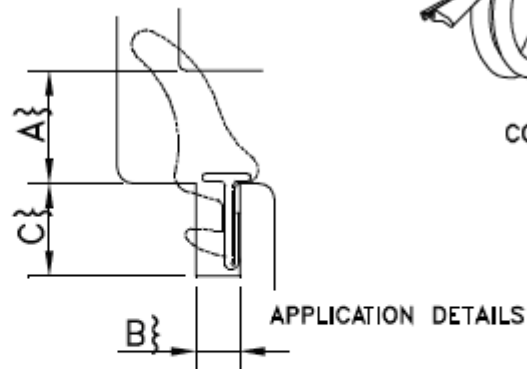
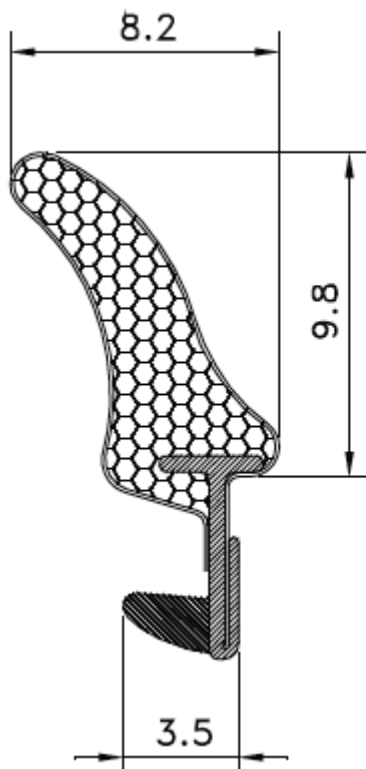
# AQUAMAC™ 836



**NOTES:-**

- 1, DIMENSIONS ARE NOMINAL UNLESS OTHERWISE STATED
  - 2, INFORMATION ON DRAWING MAY CHANGE WITHOUT NOTICE
- B KERF MOD TO SUIT 3.0MM SLOT  
A INITIAL ISSUE

# AQUAMAC™ 9111

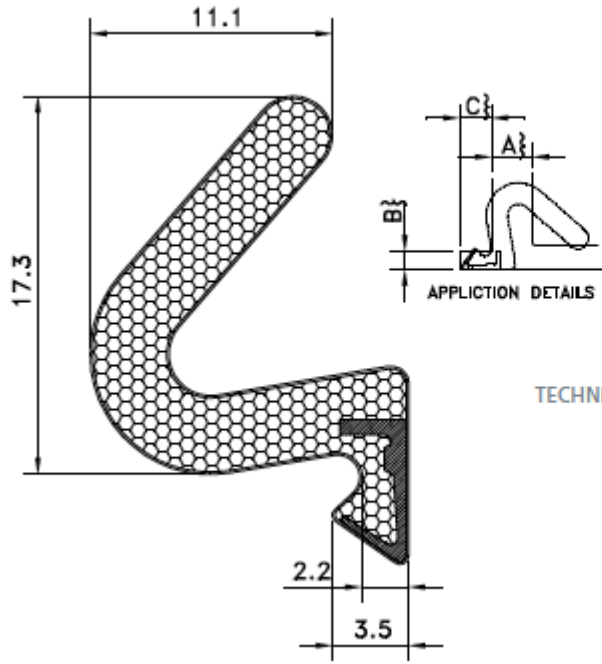


COIL DIRECTION

TECHNICAL SPECIFICATION: A, SEAL GAP. 4.8mm MIN to 7.9mm MAX  
B, KERF SLOT WIDTH. 3.2mm NOMINAL  
C, MINIMUM KERF SLOT DEPTH 6mm

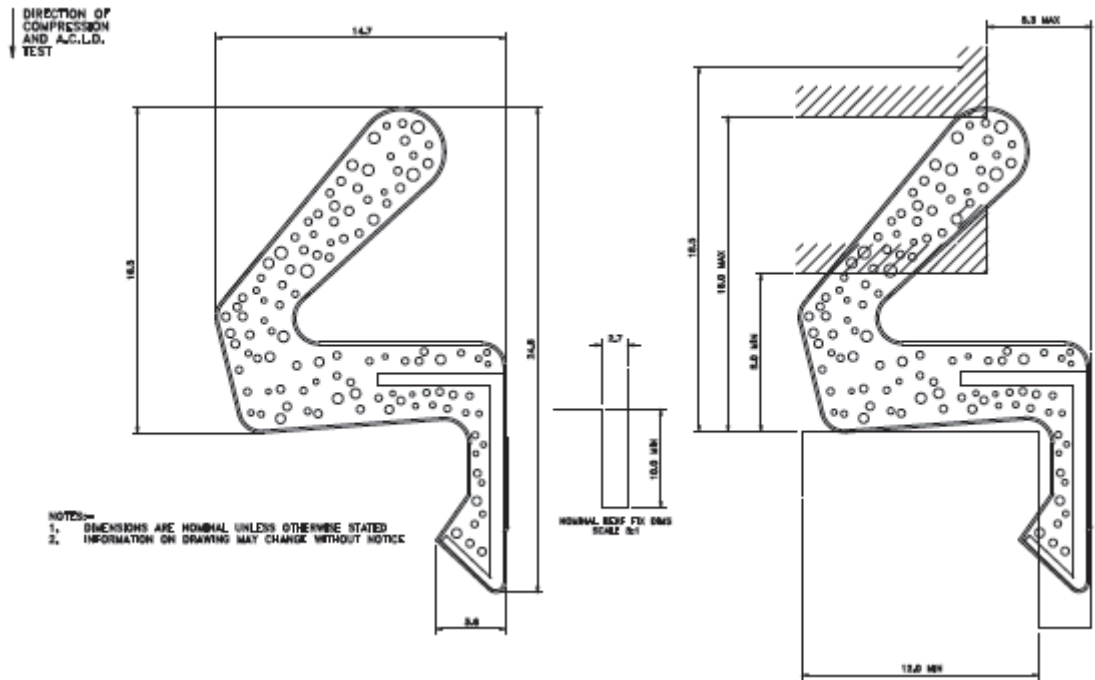


# AQUAMAC™ 89

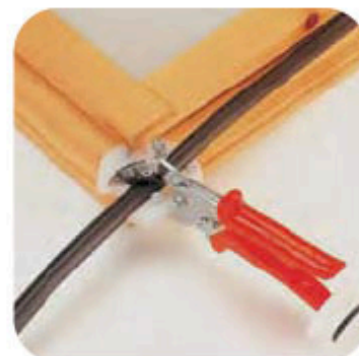


TECHNICAL SPECIFICATION: A, SEAL GAP 5.0mm MIN to 13.0mm MAX  
 B, KERF SLOT WIDTH. 2.7mm NOMINAL  
 C, MINIMUM KERF SLOT DEPTH 5.5mm

# QDST™ 650



# QLON™ and AQUAMAC™ the ultimate weatherseal



Schlegel can offer a range of tools to aid in the use of their weatherseal range. These include:

- Weatherseal pay-offs
- Insertion rollers
- Mitre cutters



# WEATHERSEAL RANGE COLOUR CHART



BRONZE (RAL 8017)



WHITE (RAL 9003)



BLACK (RAL 9005)



DARK GREY  
(M5 EMOSS ONLY RAL 7002)



BEIGE (RAL 1001)



LIGHT OAK (RAL 8003)



LIGHT GREY (RAL 7035)



SILVER GREY (RAL 7001)



OCHRE BROWN (RAL 8001)



CHESTNUT BROWN (RAL 8015)



GRAPHITE GREY (RAL 7024)



FAWN BROWN (RAL 8007)



PURE WHITE (RAL 9010)

- This chart is a 'rough' guide only not to be used as an exact representation of the finished colour
- Options available

