

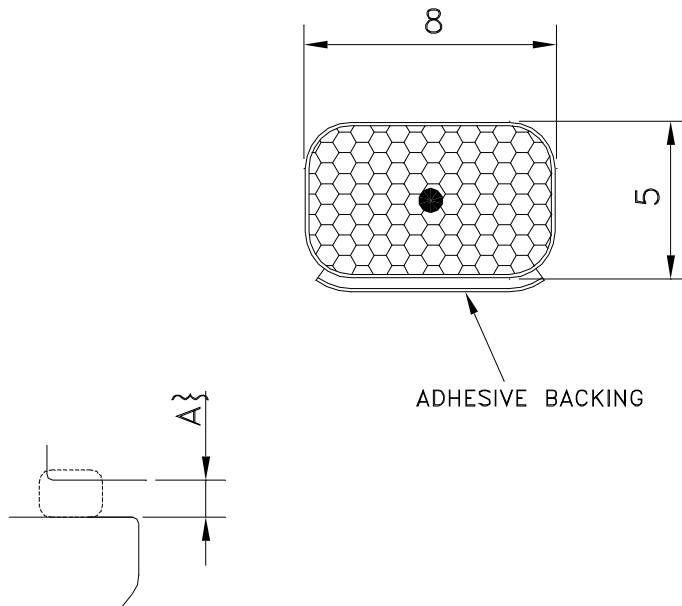


SCHLEGEL UK

Henlow Industrial Estate,
 Henlow Camp,
 Bedfordshire,
 SG16 6DS
 Tel: +44 (0) 1462 815500
 Fax: +44 (0) 1462 638800
 E-mail: schlegeluk@schlegel.eu.com

* Registered trademark of Schlegel Systems Inc.

AQUAMAC* 122



APPLICATION DETAILS

TECHNICAL SPECIFICATION

A, SEAL GAP. 2.5mm MIN TO 4.0mm MAX

PART NUMBER	COLOUR	METRES/COIL	APPLICATION
02010310	WHITE	100	WEATHERSEAL
02010311	BRONZE	100	WEATHERSEAL
02010312	BRONZE	500	WEATHERSEAL
02010315	BLACK	100	WEATHERSEAL
02010316	BLACK	500	WEATHERSEAL
02010325	WHITE	500	WEATHERSEAL
02010326	GREY	500	WEATHERSEAL

60274-08



BS7386 : 1990
 Licence NO. KM
 30928

Schlegel UK is a division of Schlegel Limited, Registratio n No. 3471668 Reg.
 Office : Hilldown House, 32 Hampstead High St, London, NW3 1QD



Certification No.
 FM 15052