

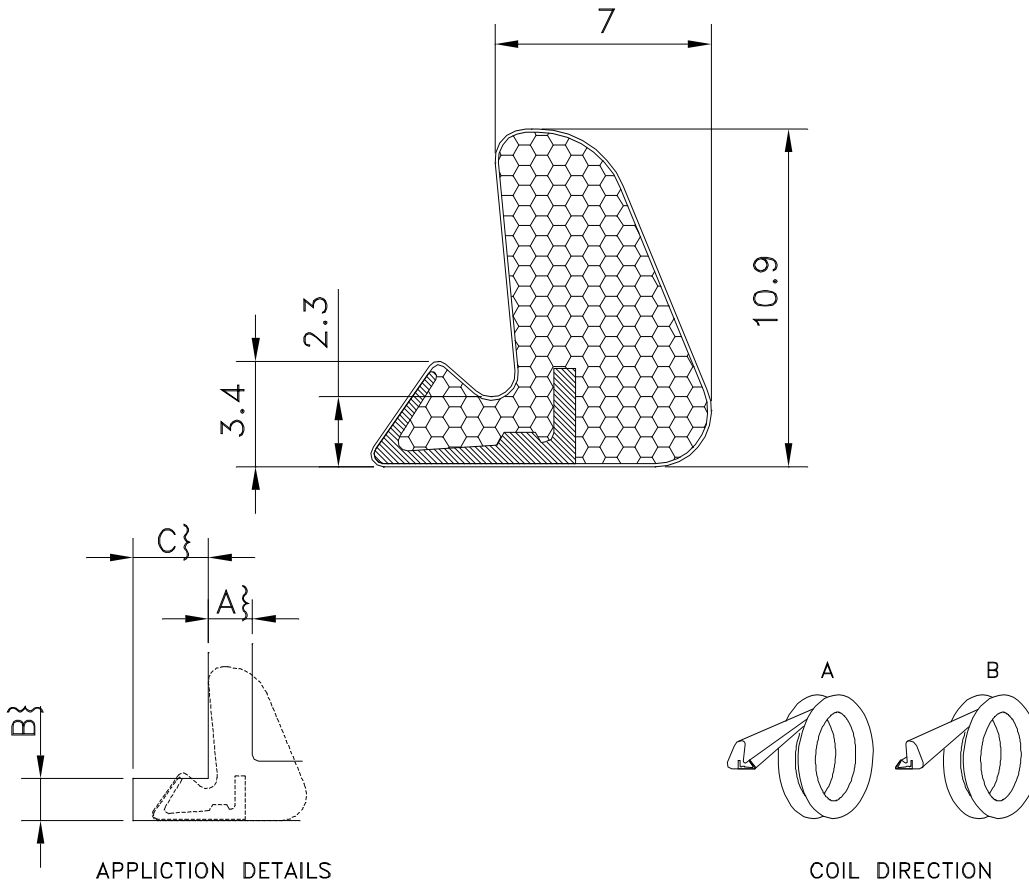


SCHLEGEL UK

Henlow Industrial Estate,
 Henlow Camp,
 Bedfordshire,
 SG16 6DS
 Tel: +44 (0) 1462 815500
 Fax: +44 (0) 1462 638800
 E-mail: schlegeluk@schlegel.eu.com

* Registered trademark of Schlegel Systems Inc.

AQUAMAC* 4846



TECHNICAL SPECIFICATION

- A, SEAL GAP. 3.5mm MIN TO 5.6mm MAX
- B, KERF SLOT WIDTH. 2.7mm NOMINAL
- C, MINIMUM KERF SLOT DEPTH 5.5mm

PART NUMBER	COLOUR	METRES/COIL	COIL DIRECTION	APPLICATION
02248460	WHITE	200	A	WEATHERSEAL
02248461	BRONZE	200	A	WEATHERSEAL
02248465	BLACK	200	A	WEATHERSEAL
02248466	BEIGE	200	A	WEATHERSEAL

60279-0A



BS7386 : 1990
 Licence NO. KM
 30928

Schlegel UK is a division of Schlegel Limited, Registratio n No. 3471668 Reg.
 Office : Hilldown House, 32 Hampstead High St, London, NW3 1QD



Certification No.
 FM 15052