

Schlegel Weather Seal Range



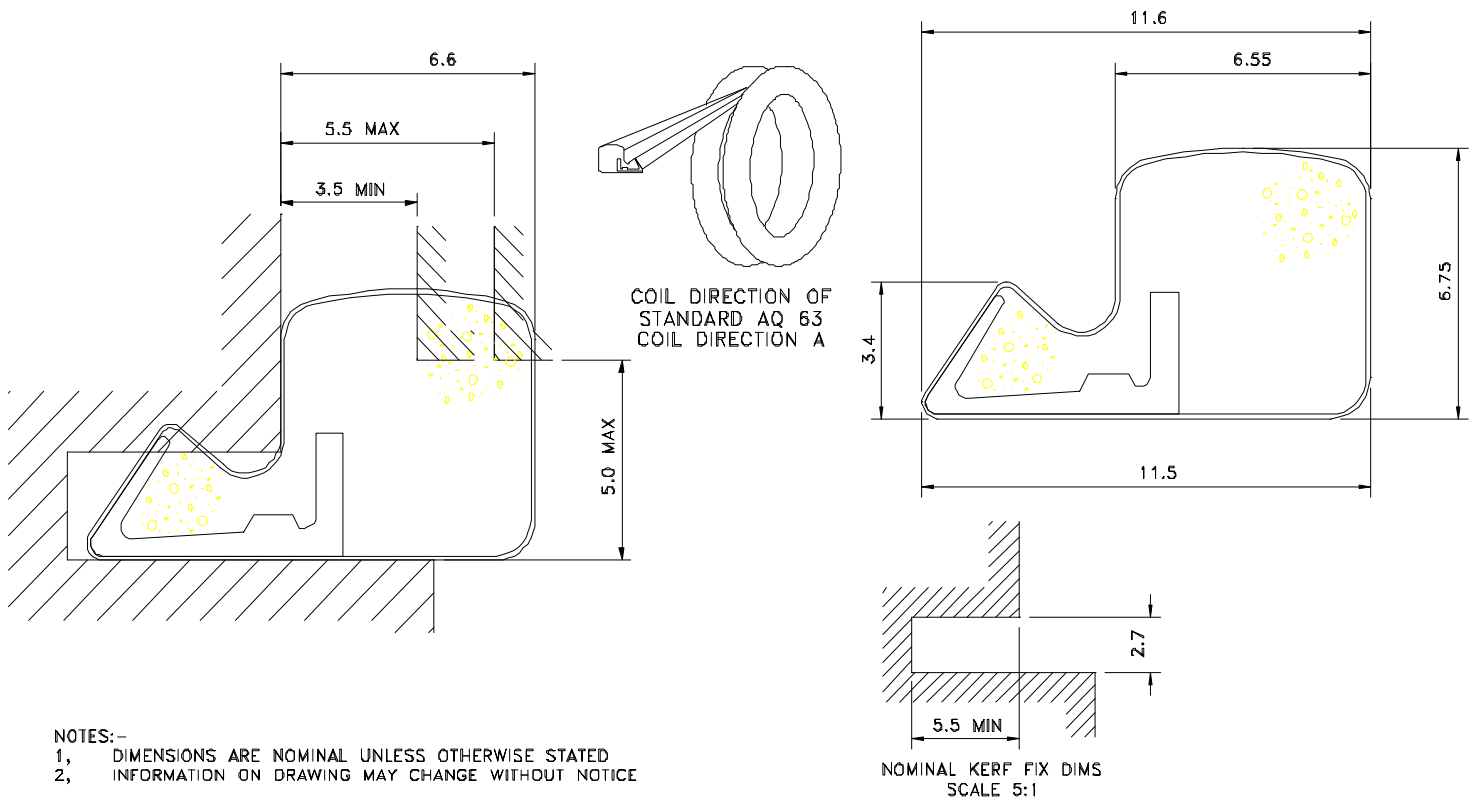
Technical Data Sheet
Product = Aquamac 63

Testing undertaken to ISO 9001/2000; BSI Registration FM15052 (since 29/07/1992)

Specification			
Characteristic	Value	Units	Test Method
ACLD (Aged Compression Load Deflection)	12.0-18.4 N/100mm	Newtons per 100mm length	In House
Compression Set	>20% set after 24hours (50% compression) @ 70°C	% Recovery mm	In House
Dimensions		mm	In House

BS EN 12365:2003 Part 4 Classification W 2 6 5 6 6 (Please note – ‘recovery after aging’ is not applicable to this assessment)

Drawing Detail

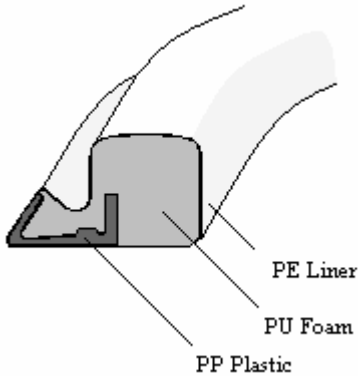


NOTES:-
1, DIMENSIONS ARE NOMINAL UNLESS OTHERWISE STATED
2, INFORMATION ON DRAWING MAY CHANGE WITHOUT NOTICE

Schlegel UK, Henlow Industrial Estate, Henlow Camp, Bedfordshire, SG16 6DS
Phone: +44 1462 815500 Fax: +44 1462 811963
e:Mail: schlegeluk@schlegel.eu.com

Material / Components

Exterior Liner	=	Poly-ethylene, low friction, UV stable
Exterior Liner Melt Index	=	approx. 0,85 g/10 min at 190 °C., 2,16 kg mass – 2.0MI
Hard Foot / insert	=	Poly-propylene OR Glass fibre roving (part specific)
Foam Core	=	H/R Poly-Urethane, exhibiting excellent memory performance over wide temp range



Nominal Value of Thermal Conductivity

Low density P.E (used for the outer skin) is advised at 0.33 W/mKelvin

P.U.foam at a density of 70Kg / cubic mtr having a conductivity of 0.05 W/mKelvin

A proposed nominal value for all our seals = 0.06W/mKelvin.

Fire Rating

These seals are NOT fire resistant but can be used in conjunction with intumesant strips as 'smokeseals' – Smoke seal application testing is undertaken on the whole door set and as such we are unable to provide information on individual seals

Nominal Values for Sound Reduction Weighting

$R_w(C, C_{tr}) = 32 (-1; -3)$ dB

$R_w(C, C_{tr}) = 22 (-1; -1)$ dB

$R_w(C, C_{tr}) = 16 (-1; 0)$ dB

$R_w(C, C_{tr}) = 29 (0; -2)$ dB

Packaging Specification

UK Card packing; 2 Coils per box; Nominal ***m / Coil

Coil = 825 OD – 425 ID; Box = 710*710*380mm

GMBH Packaging 2 Coils per box; Nominal 150m / Coil

Coil = 790 OD – 570 ID; Box = 775*775*380mm

When supplied on 'Zero-Gap' packaging

Coil = 560 OD – 320 ID; Box = 580*580*380mm

Schlegel UK, Henlow Industrial Estate, Henlow Camp, Bedfordshire, SG16 6DS

Phone: +44 1462 815500 Fax: +44 1462 811963

e:Mail: schlegeluk@schlegel.eu.com

Part Numbers

02263100	AQ 63 WHT 100M	CL	100
02263101	AQ 63 BRZ 100M	CL	100
02263102	AQ 63 BLK 100M	CL	100
02263105	AQ 63 L/OAK 100M	CL	100
02263200	AQ 63 WHT 100M	CL	100
02263201	AQ 63 BRZ 100M	CL	100
02263300	AQ 63 WHT 300M	CL	300
02263301	AQ 63 BRZ 300M	CL	300
02263303	AQ 63 BRZ 300M SINGLE	CL	300
02263305	AQ 63 L/OAK 300M CL	CL	300
02263307	AQ 63 BG 300M	CL	300
02263308	AQ 63 BLK 300M	CL	300
02263309	AQ 63 GRY 300M	CL	300
02263313	AQ 63 BGE 300M CL	CL	300
02263316	AQ 63 RAL GRY 300M CL	CL	300
02263322	AQ 63 BLK 700M SGL CL	CL	700
02263326	AQ 63 RAL GRY 300M	CL	300
02263333	AQ 63 D GRY M5 300M CL	CL	300

BBA Report

CRITERIA	B.B.A. 345/1 1993	B.B.A. Report 1990	Comments
TENSILE STRENGTH AFTER AGEING	< 25% REDUCTION AFTER 10 DAYS AT 70 ⁰ C	0% REDUCTION AFTER 28 DAYS	Q-Lon Exceeds the requirement
ELONGATION AT BREAK AFTER AGEING.	< 25% REDUCTION	> 5% REDUCTION AFTER 28 DAYS.	Q-Lon Exceeds the requirement
HARDNESS CHANGE AFTER AGEING	< 25% REDUCTION AFTER 10 DAYS AT 70 ⁰ C	COMPRESSION FORCE CHANGED BY 5% AFTER 28 DAYS	Q-Lon Exceeds the requirement
TEAR RESISTANCE	RAW MATERIAL TEST ONLY	NO ASSESSMENT	
DEFLECTION RECOVERY 24HRS @ 23 ⁰ C	> 75% RECOVERY	91.67% RECOVERY @ 70 ⁰ C	Q-Lon Exceeds the requirement
24hrs @ -15 ⁰ C	> 75% RECOVERY (LESS THAN 25% SET	100% RECOVERY	
14DAYS @ 55 ⁰ C	>25% RECOVERY	NOT ASSESSED	
OZONE RESISTANCE		NOT ASSESSED & NOT AFFECTED BY OZONE	This criteria is a limitation of Rubber / E.P.D.M.
DIMENSIONAL STABILITY	HEAT REVERSION < 2%	DIMENSIONAL STABILITY 0.01%	Q-Lon Exceeds the requirement

The B.P.F. have reviewed the 345/1 document and are shortly to publish a revision. The revisions take account of current European draft standards for seals and will most likely include the following changes.

1. Test methods will not be limited to raw material assessment.
2. The test methods will allow the seal performance to be graded as opposed to minimum levels being specified. The system is intended to allow an appropriate seal to be specified for an application.

Schlegel UK, Henlow Industrial Estate, Henlow Camp, Bedfordshire, SG16 6DS

Phone: +44 1462 815500 Fax: +44 1462 811963

e:Mail: schlegeluk@schlegel.eu.com

Minimum performances are still assessed via the functionality tests of the complete window / door unit.

Performance Benefits Summary

Excellent memory – Returns to original shape after compression

Stability – Low/no stretch gained by GF internal cord or insert

Easily compressed – Low compression forces, Unaffected by temp variance (tested to -30oC to +70oC)

Acoustic performance – Independent testing and comparison data available

Paint and Stain Proof – Properties un-affected by standard paints and stains

Stabilised – Unaffected by rot, Fungi, UV light or Ozone.

Colour – Wide range of available options (bronze, white, black, greys, etc)

Jointing – Can be joined with silicone sealant or welded in situ'

Patented. – Selling Seals to the industry for over 30 years

Schlegel UK, Henlow Industrial Estate, Henlow Camp, Bedfordshire, SG16 6DS

Phone: +44 1462 815500 Fax: +44 1462 811963

e:Mail: schlegeluk@schlegel.eu.com