

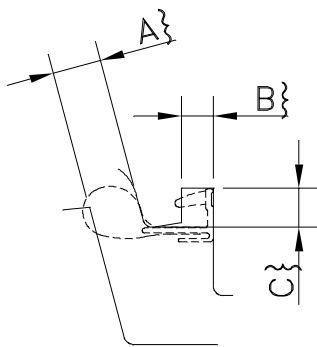
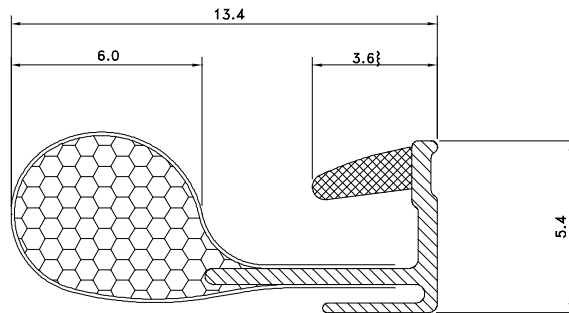


SCHLEGEL UK

Henlow Industrial Estate,
 Henlow Camp,
 Bedfordshire,
 SG16 6DS
 Tel: +44 (0) 1462 815500
 Fax: +44 (0) 1462 638800
 E-mail: schlegeluk@schlegel.eu.com

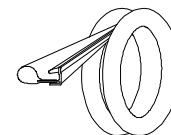
* Registered trademark of Schlegel Systems Inc.

AQUAMAC* 9110



APPLICATION DETAILS

COIL DIRECTION



STANDARD

TECHNICAL SPECIFICATION :-

- A. SEAL GAP:- 3mm MIN TO 5mm MAX
- B. RETENTION SLOT :- 3.3mm NOMINAL
- C. MIN POCKET DEPTH 4mm

PART NUMBER	COLOUR	METRES/COIL
02391100	WHITE	250
02391101	BRONZE	250
02391102	BLACK	250

60512-0A



BS7386 : 1990
 Licence NO. KM
 30928

Schlegel UK is a division of Schlegel Limited, Registratio n No. 3471668 Reg.
 Office : Hillsgdown House, 32 Hampstead High St, London, NW3 1QD



Certification No.
 FM 15052