

Schlegel Weather Seal Range

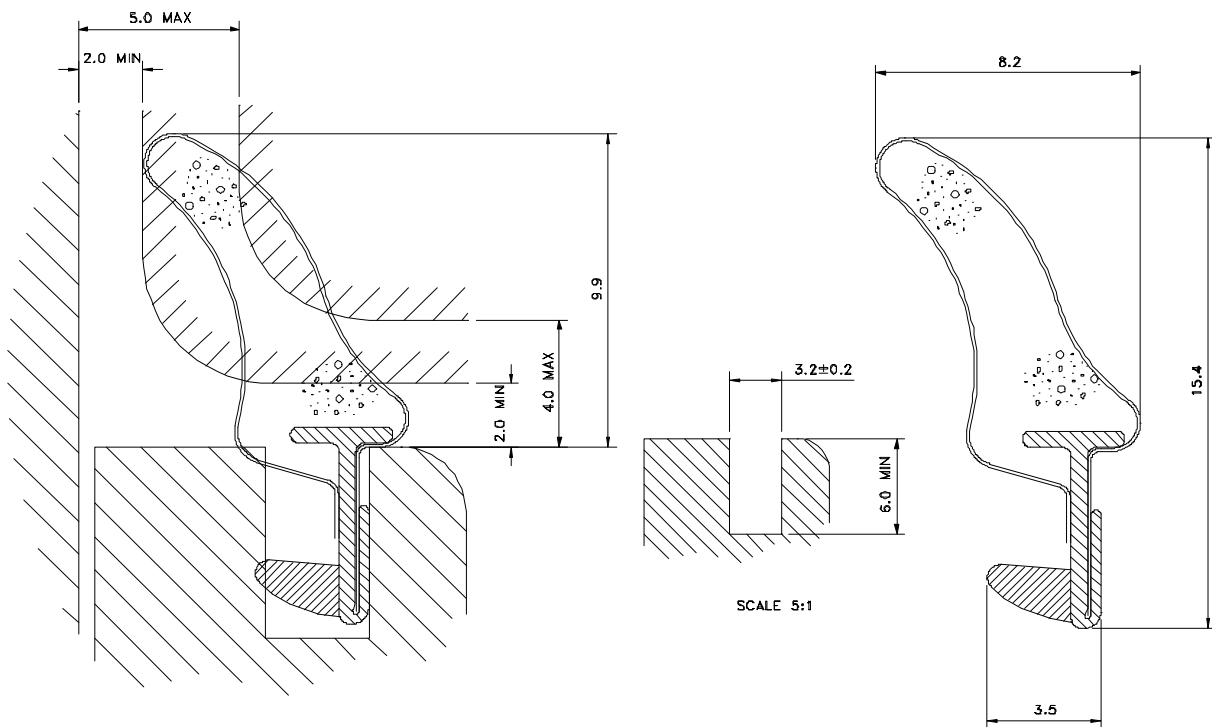


Technical Data Sheet
Product = Aquamac 9111

Testing undertaken to ISO 9001/2000; BSI Registration FM15052 (since 29/07/1992)

Specification			
Characteristic	Value	Units	Test Method
ACLD (Aged Compression Load Deflection)	1.0-5.6 N/100mm	Newtons per 100mm length	In House
Compression Set	>20% set after 24hours (50% compression) @ 70°C	% Recovery mm	In House
Dimensions		mm	In House

Drawing Detail



Material / Components

Exterior Liner = Poly-ethylene
 Exterior Liner Melt Index = approx. 0,85 g/10 min at 190 °C, 2,16 kg mass – 2.0MI
 Hard Foot / insert = Poly-propylene back – TPE foot
 Foam Core = H/R Poly-Urethane

Schlegel UK, Henlow Industrial Estate, Henlow Camp, Bedfordshire, SG16 6DS
 Phone: +44 1462 815500 Fax: +44 1462 811963
 e:Mail: schlegeluk@schlegel.eu.com

Nominal Value of Thermal Conductivity

Low density P.E (used for the outer skin) is advised at 0.33 W/mKelvin

P.U.foam at a density of 70Kg / cubic mtr having a conductivity of 0.05 W/mKelvin

A proposed nominal value for all our seals = 0.06W/mKelvin.

Fire Rating

These seals are NOT fire resistant but can be used in conjunction with intumescent strips as 'smokeseals' – Smoke seal application testing is undertaken on the whole door set and as such we are unable to provide information on individual seals

Nominal Values for Sound Reduction Weighting

$R_w(C, C_{tr}) = 32 (-1; -3)$ dB

$R_w(C, C_{tr}) = 22 (-1; -1)$ dB

$R_w(C, C_{tr}) = 16 (-1; 0)$ dB

$R_w(C, C_{tr}) = 29 (0; -2)$ dB

Packaging Specification

UK Card packing; 2 Coils per box; Nominal 300m / Coil

Coil = 825 OD – 425 ID; Box = 710*710*380mm

02391110	AQ	9111	WHT	300M	CL	300
02391111	AQ	9111	BRZ	300M	CL	300
02391112	AQ	9111	BLK	300M	CL	300
02391113	AQ	9111	BGE	300M	CL	300
02391115	AQ	9111	L/OAK	300M	CL	300
02391116	AQ	9111	RAL GREY	300M	CL	300
02491112	AQ	9111	BLK	300M REV	CL	300

Schlegel UK, Henlow Industrial Estate, Henlow Camp, Bedfordshire, SG16 6DS

Phone: +44 1462 815500 Fax: +44 1462 811963

e:Mail: schlegeluk@schlegel.eu.com

BBA Report

CRITERIA	B.B.A. 345/1 1993	B.B.A. Report 1990	Comments
TENSILE STRENGTH AFTER AGEING	< 25% REDUCTION AFTER 10 DAYS AT 70 ⁰ C	0% REDUCTION AFTER 28 DAYS	Q-Lon Exceeds the requirement
ELONGATION AT BREAK AFTER AGEING.	< 25% REDUCTION	> 5% REDUCTION AFTER 28 DAYS.	Q-Lon Exceeds the requirement
HARDNESS CHANGE AFTER AGEING	< 25% REDUCTION AFTER 10 DAYS AT 70 ⁰ C	COMPRESSION FORCE CHANGED BY 5% AFTER 28 DAYS	Q-Lon Exceeds the requirement
TEAR RESISTANCE	RAW MATERIAL TEST ONLY	NO ASSESSMENT	
DEFLECTION RECOVERY 24HRS @ 23 ⁰ C	> 75% RECOVERY	91.67% RECOVERY @ 70 ⁰ C	Q-Lon Exceeds the requirement
24hrs @ -15 ⁰ C	> 75% RECOVERY (LESS THAN 25% SET	100% RECOVERY	
14DAYS @ 55 ⁰ C	>25% RECOVERY	NOT ASSESSED	
OZONE RESISTANCE		NOT ASSESSED & NOT AFFECTED BY OZONE	This criteria is a limitation of Rubber / E.P.D.M.
DIMENSIONAL STABILITY	HEAT REVERSION < 2%	DIMENSIONAL STABILITY 0.01%	Q-Lon Exceeds the requirement

The B.P.F. have reviewed the 345/1 document and are shortly to publish a revision. The revisions take account of current European draft standards for seals and will most likely include the following changes.

1. Test methods will not be limited to raw material assessment.
2. The test methods will allow the seal performance to be graded as opposed to minimum levels being specified. The system is intended to allow an appropriate seal to be specified for an application. Minimum performances are still assessed via the functionality tests of the complete window / door unit.

Performance Benefits Summary

Excellent memory – Returns to original shape after compression

Stability – Low/no stretch gained by GF internal cord or insert

Easily compressed – Low compression forces, Unaffected by temp variance (tested to -30oC to +70oC)

Acoustic performance – Independent testing and comparison data available

Paint and Stain Proof – Properties un-affected by standard paints and stains

Stabilised – Unaffected by rot, Fungi, UV light or Ozone.

Colour – Wide range of available options (bronze, white, black, greys, etc)

Jointing – Can be joined with silicone sealant or welded in situ'

Patented.

Schlegel UK, Henlow Industrial Estate, Henlow Camp, Bedfordshire, SG16 6DS

Phone: +44 1462 815500 Fax: +44 1462 811963

e:Mail: schlegeluk@schlegel.eu.com