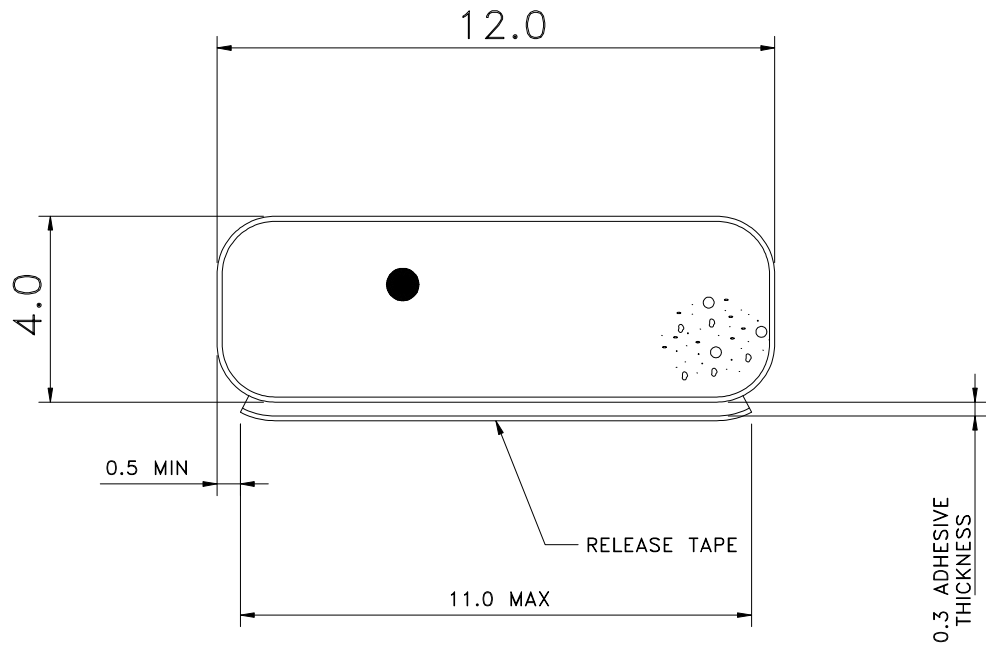


QL 1026

↓
DIRECTION OF
COMPRESSION
AND A.C.L.D.
TEST



TECHNICAL SPECIFICATION

A, SEAL GAP. 2.0mm MIN TO 3.0mm MAX
B, KERF SLOT WIDTH N/A
C, MINIMUM KERF SLOT DEPTH N/A

D, COLOURS AVAILABLE: BRONZE
WHITE
BLACK
GREY
BEIGE
LIGHT OAK

PART NUMBER	COLOUR	QTY/COIL(M)
02010260	WHITE	250
02010261	BRONZE	250
02010262	BLACK	250
02010265	LIGHT OAK	250