

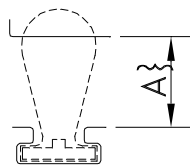
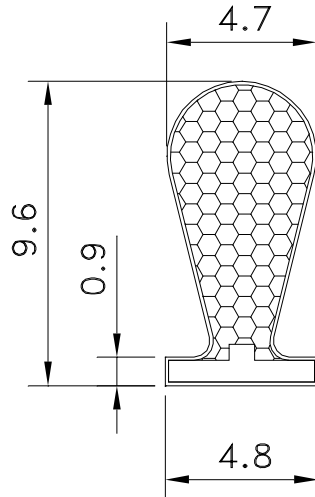


**SCHLEGEL UK**

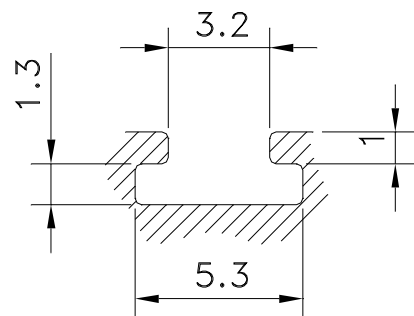
Henlow Industrial Estate,  
 Henlow Camp,  
 Bedfordshire,  
 SG16 6DS  
 Tel: +44 (0) 1462 815500  
 Fax: +44 (0) 1462 638800  
 E-mail: schlegeluk@schlegel.eu.com

\* Registered trademark of Schlegel Systems Inc.

**Q-LON\* 48950**



APPLICATION DETAILS



POCKET DETAILS

TECHNICAL SPECIFICATION  
 A, SEAL GAP. 4.0mm MIN TO 6.4mm MAX

| PART NUMBER | COLOUR | METRES/COIL | APPLICATION |
|-------------|--------|-------------|-------------|
| 02548950    | WHITE  | 500         | WEATHERSEAL |
| 02548951    | BLACK  | 500         | WEATHERSEAL |
| 02548953    | BLACK  | 100         | WEATHERSEAL |
| 02548954    | BLACK  | 200         | WEATHERSEAL |
|             |        |             |             |

60384-0A



BS7386 : 1990  
 Licence NO. KM  
 30928

Schlegel UK is a division of Schlegel Limited, Registratio n No. 3471668 Reg.  
 Office : Hillside House, 32 Hampstead High St, London, NW3 1QD



Certification No.  
 FM 15052