

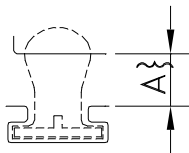
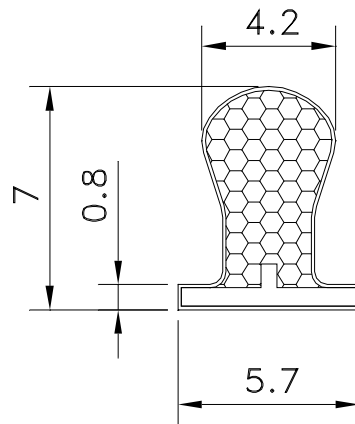


SCHLEGEL UK

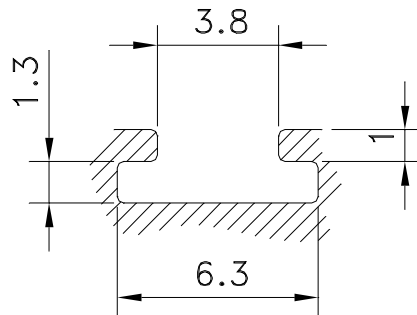
Henlow Industrial Estate,
 Henlow Camp,
 Bedfordshire,
 SG16 6DS
 Tel: +44 (0) 1462 815500
 Fax: +44 (0) 1462 638800
 E-mail: schlegeluk@schlegel.eu.com

* Registered trademark of Schlegel Systems Inc.

Q-LON* 57700



APPLICTION DETAILS



POCKET DETAILS

TECHNICAL SPECIFICATION
 A, SEAL GAP. 2.3mm MIN TO 4.0mm MAX

PART NUMBER	COLOUR	METRES/COIL	APPLICATION
02757702	WHITE	200	WEATHERSEAL
02757703	BLACK	200	WEATHERSEAL

60385-0A



BS7386 : 1990
 Licence NO. KM
 30928

Schlegel UK is a division of Schlegel Limited, Registratio n No. 3471668 Reg.
 Office : Hilldown House, 32 Hampstead High St, London, NW3 1QD



Certification No.
 FM 15052