

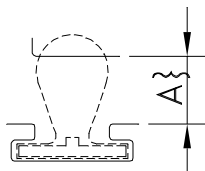
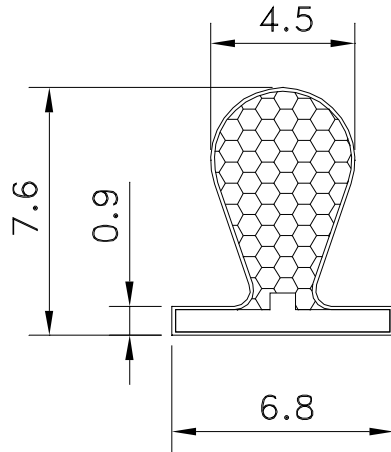


SCHLEGEL UK

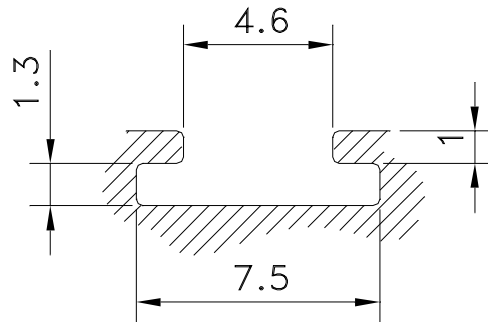
Henlow Industrial Estate,
 Henlow Camp,
 Bedfordshire,
 SG16 6DS
 Tel: +44 (0) 1462 815500
 Fax: +44 (0) 1462 638800
 E-mail: schlegeluk@schlegel.eu.com

* Registered trademark of Schlegel Systems Inc.

Q-LON* 69750



APPLICATION DETAILS



POCKET DETAILS

TECHNICAL SPECIFICATION
 A, SEAL GAP. 2.7mm MIN TO 4.6mm MAX

PART NUMBER	COLOUR	METRES/COIL	APPLICATION
02669750	WHITE	500	WEATHERSEAL
02669751	BLACK	500	WEATHERSEAL

60388-0A



BS7386 : 1990
 Licence NO. KM
 30928

Schlegel UK is a division of Schlegel Limited, Registratio n No. 3471668 Reg.
 Office : Hillside House, 32 Hampstead High St, London, NW3 1QD



Certification No.
 FM 15052