

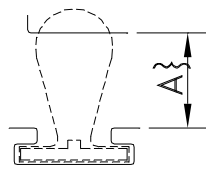
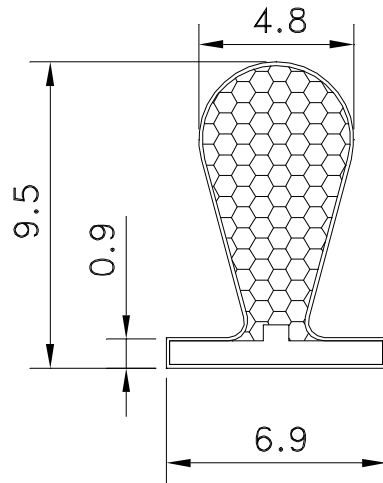


**SCHLEGEL UK**

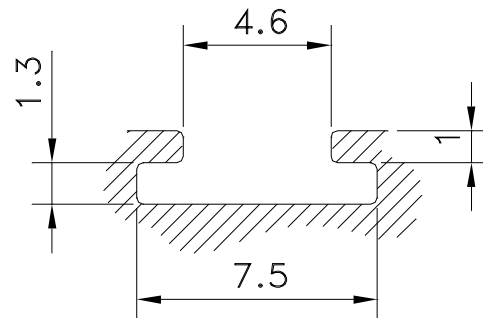
Henlow Industrial Estate,  
 Henlow Camp,  
 Bedfordshire,  
 SG16 6DS  
 Tel: +44 (0) 1462 815500  
 Fax: +44 (0) 1462 638800  
 E-mail: schlegeluk@schlegel.eu.com

\* Registered trademark of Schlegel Systems Inc.

**Q-LON\* 69950**



APPLICATION DETAILS



POCKET DETAILS

TECHNICAL SPECIFICATION  
 A, SEAL GAP. 3.9mm MIN TO 6.3mm MAX

PART NUMBER	COLOUR	METRES/COIL	APPLICATION
02669950	WHITE	350	WEATHERSEAL
02669951	BLACK	350	WEATHERSEAL
02669957	BLACK	200	WEATHERSEAL

60389-0A



BS7386 : 1990  
 Licence NO. KM  
 30928

Schlegel UK is a division of Schlegel Limited, Registratio n No. 3471668 Reg.  
 Office : Hillsgate House, 32 Hampstead High St, London, NW3 1QD



Certification No.  
 FM 15052