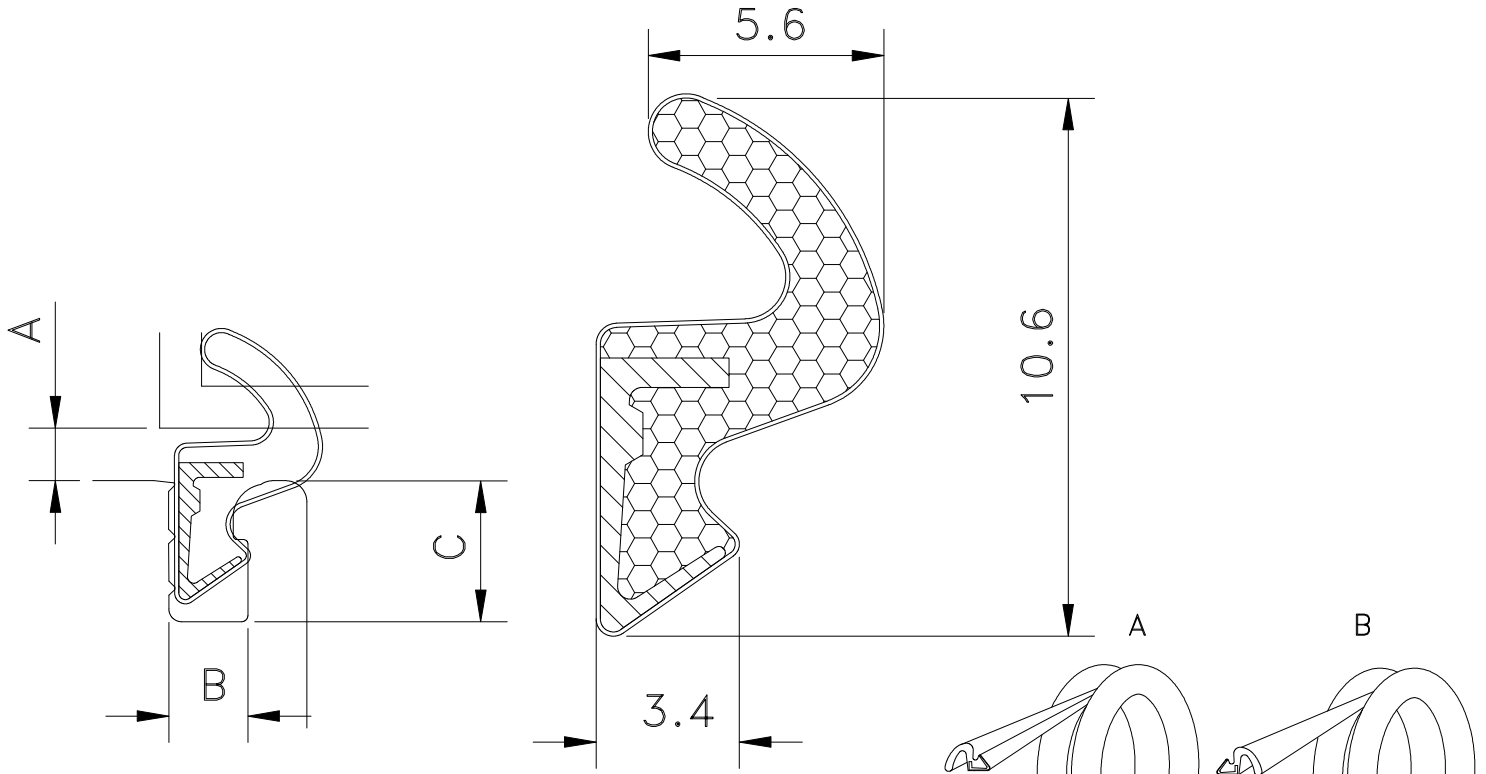


# Q-LON\* 9480



## APPLICATION DETAILS

### TECHNICAL SPECIFICATION

- A, SEAL GAP. 2.5mm MIN TO 4.5mm MAX
- B, KERF SLOT WIDTH. 2.7mm NOMINAL
- C, MINIMUM KERF SLOT DEPTH 5.5mm

COIL DIRECTION

PART NUMBER	COLOUR	QTY/COIL(M)	QTY/COIL(M)	QTY/COIL(M)
02794709	RAL GREY	800	B	WEATHERSEAL
02794800	RAL GREY	200	A	WEATHERSEAL
02794801	BRONZE	400	A	WEATHERSEAL
02794802	BLACK	400	A	WEATHERSEAL
02794805	OCH BRN	800	A	WEATHERSEAL
02794806	RAL GRY	400	A	WEATHERSEAL
02794815	OCH BRN	800	B	WEATHERSEAL
02794816	RAL GRY	400	B	WEATHERSEAL
02794808 (B/PRINT)	RAL GRY	800	A	WEATHERSEAL
02794809 (B/PRINT)	RAL GRY	800	B	WEATHERSEAL
02794810	WHT	400	A	WEATHERSEAL
02794812	BLK	100	A	WEATHERSEAL
02794818	RAL GRY	800	A	WEATHERSEAL
02794819	RAL GRY	800	B	WEATHERSEAL
02794826 (L D)	RAL GRY	400	A	WEATHERSEAL
02794836 (L D)	RAL GRY	400	B	WEATHERSEAL
02794828 (L D)	RAL GRY	800	A	WEATHERSEAL
02794839 (L D)	RAL GRY	800	B	WEATHERSEAL
02794856 (L D)	RAL GRY m5	400	A	WEATHERSEAL
02794866 (L D)	RAL GRY m5	400	B	WEATHERSEAL