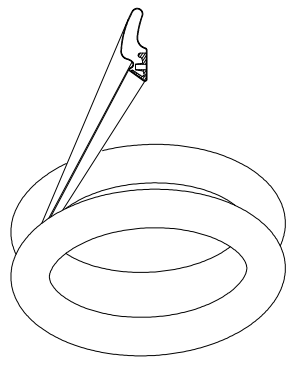
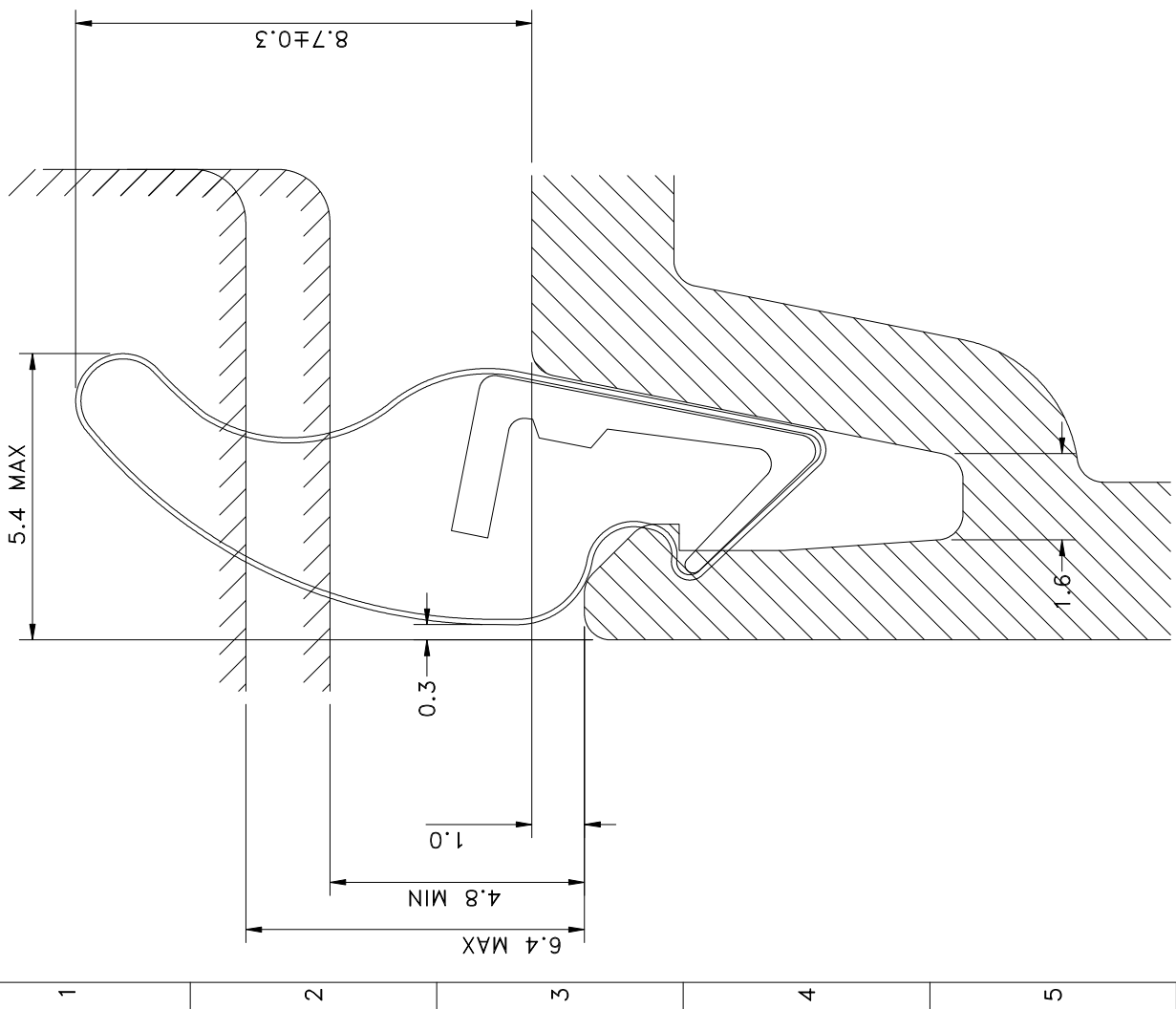
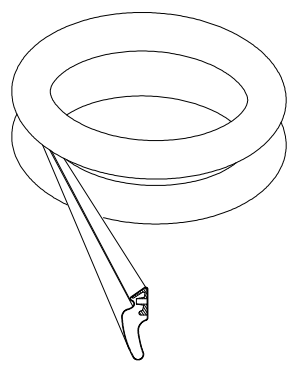


DO NOT SCALE OR GUESS—IF IN DOUBT, ASK!



COIL DIRECTION OF
REVERSED Q-LON 9821 (B)
PT No. 02798214



COIL DIRECTION OF
STANDARD Q-LON 9821 (A)
PT No. 02798210/1/2/6/8

NOTES:—
1. DIMENSIONS ARE NOMINAL UNLESS OTHERWISE STATED
2. INFORMATION GIVEN MAY CHANGE WITHOUT NOTICE

SCHLEGEL U.K.
Henlow Industrial Estate, Henlow Camp
Bedfordshire, U.K. SG16 6DS
Tel: +44(0)1462 815500
Fax: +44(0)1462 811963
email: schlegel@schlegel.co.uk

A member of the **UniPoly** group

This drawing is confidential and is the property of Schlegel U.K. and is neither to be reproduced, copied or otherwise used in any form whatsoever nor is the information thereon and associated know-how to be disclosed to any third party without the prior written consent of the company, except for the exclusive benefit of Schlegel U.K., and the acceptance of this drawing will be construed as an agreement to the foregoing conditions.
Copyright, Schlegel U.K., 1998

TOLERANCES
OVERALL ± —
ANGULAR ± —
DIMENSIONS IN MILLIMETRES UNLESS OTHERWISE STATED

Q-LON 9821
CUSTOMER DRAWING

S.SPEIRS
Date 16/05/05
Drawn

| | | |
|------------|----------------------------------|--------------------|
| CA | NEW INSERT DETAIL — NOT RELEASED | 16/09/06 |
| A | INITIAL ISSUE | 16/05/05 |
| Issue No. | C.N. | Modification |
| Scale 10:1 | Sheet 1 of 2 | Drawing No. U60819 |