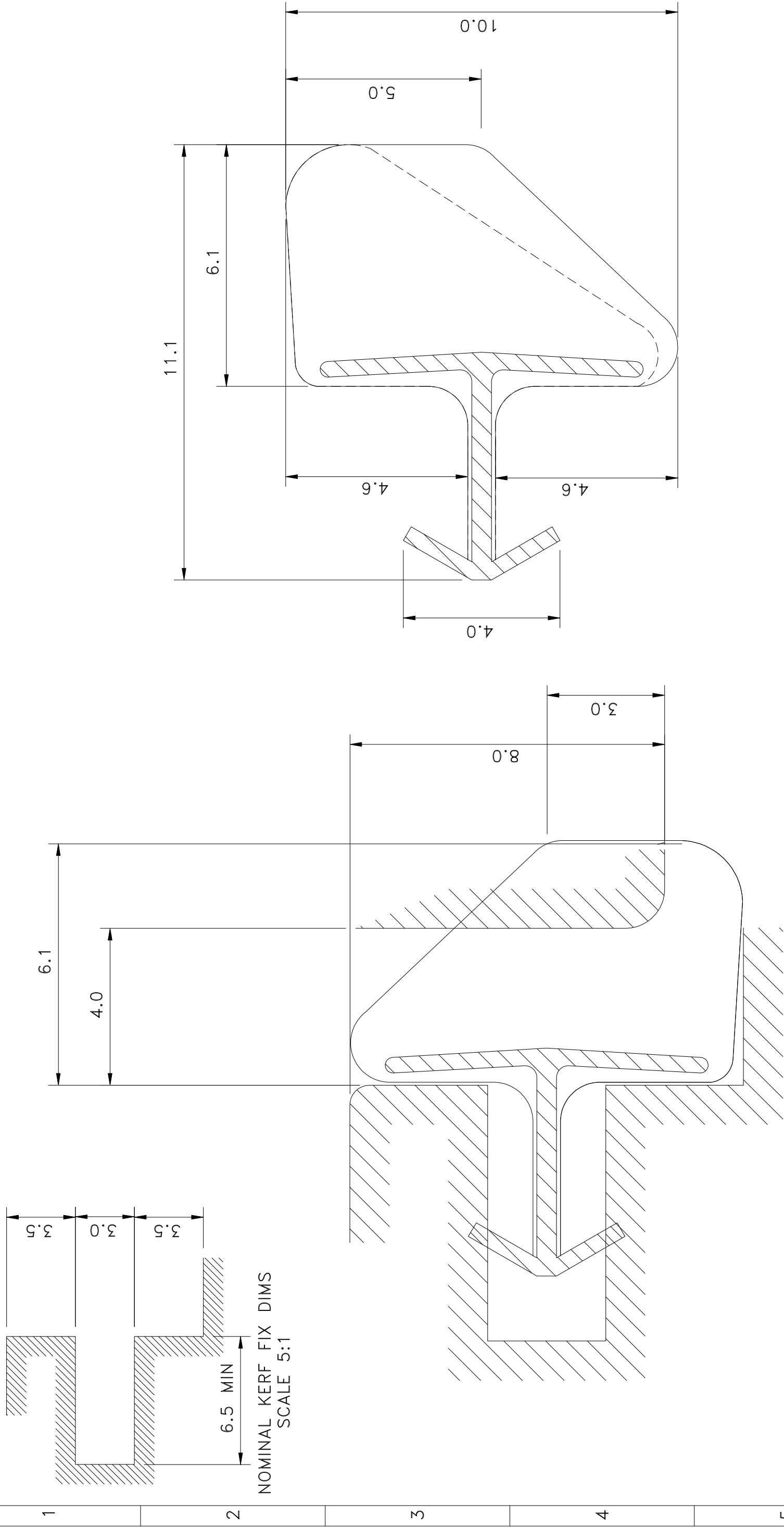


DO NOT SCALE OR GUESS—IF IN DOUBT, ASK!



NOMINAL KERF FIX DIMS
SCALE 5:1

NOTES:—

- 1, DIMENSIONS ARE NOMINAL UNLESS OTHERWISE STATED
- 2, INFORMATION ON DRAWING MAY CHANGE WITHOUT NOTICE

SCHLEGEL U.K.

Henlow Industrial Estate, Henlow Camp
Bedfordshire, U.K. SG16 6DS
Tel: +44(0)1462 815500
Fax: +44(0)1462 811963
email: schlegel@schlegel.co.uk

This drawing is confidential and is the property of Schlegel U.K. and is neither to be reproduced, copied or otherwise used in any form whatsoever nor is the information thereon and associated know-how, to be disclosed to third parties, without written permission of the company, except for the exclusive benefit of Schlegel U.K., and the acceptance of this drawing will be construed as an agreement to the foregoing conditions.
Copyright, Schlegel U.K., 1998

TOLERANCES
OVERALL ± —
ANGULAR ± —

A3



DIMENSIONS IN MILLIMETRES UNLESS OTHERWISE STATED

QL 9921
CUSTOMER DRAWING

D	MOD SHAPE: OVERAL 10mm	19/05/08
A	INITIAL ISSUE	28/06/07
Issue No.	C.N.	Modification
Scale	10:1	Sheet 1 Of 1
Scale	10:1	Drawing No. U60920

Date 28/06/07

Drawn SAM SPEIRS

Date

Drawn SAM SPEIRS

Issue Date